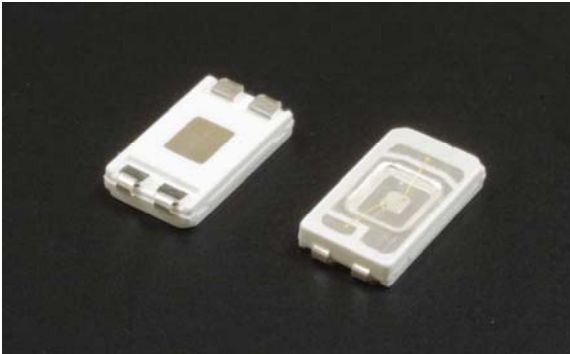


5630 package, Medium Power now available in colour

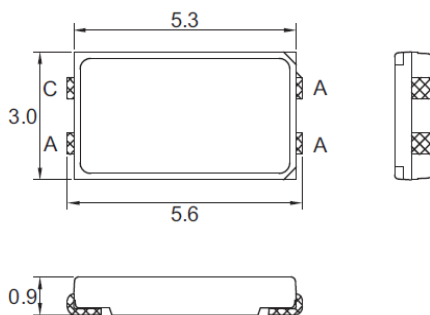


For applications requiring Higher Intensity than traditional surface mount LED devices, Plus Opto introduces the industry standard **5630**, Medium Power package, now available in **Red, Yellow, Green & Blue** colours.

Features include:-

- Medium power, High performance
- Internal reflector maximises light output
- High Intensity AlInGaP and InGaN colours
- Also available in Warm, Natural and Cool White colour temperatures & Infra Red
- Wide 120° angle of emission
- Compatible with reflow soldering process

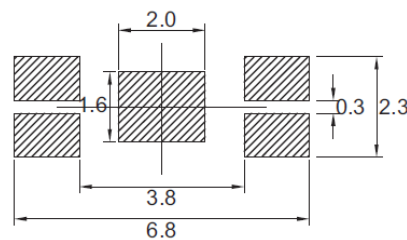
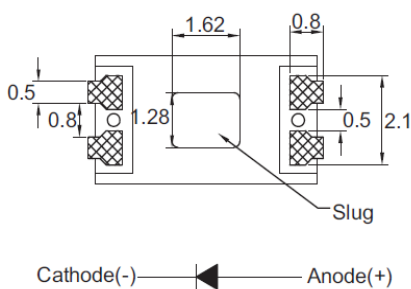
A wide range of applications include area array lighting, linear light strips, backlighting & light guides



LG5630 Mid Power Colour Options

Part Number	Typical specification (150mA)	
	Wavelength	Luminous Intensity (mcd)
LG5630URFS-1-T150	625nm	8000mcd
LG5630UYR-1-T150	590nm	6500mcd
LG5630DGM-1-T150	525nm	8000mcd
LG5630DBK-1-T150	460nm	3000mcd

Samples available from stock.



Schematic polarity for Red & Yellow only, Green & Blue are opposite