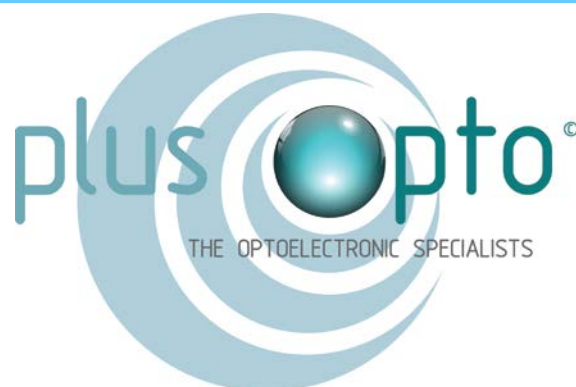


COB LED SELECTOR GUIDE

Plus Opto is home to the complete range of optoelectronic devices: LED discrete components & assemblies including through-hole LED lamps, surface mount LEDs, LED modules and Panel Mount LED lamps. We also offer a custom and semi-custom service along with a range of drivers & controllers.

We offer a range of lighting class multi-chip COB LED emitters ranging from 4W to 100W developed to provide high intensity luminous flux for a wide range of applications.

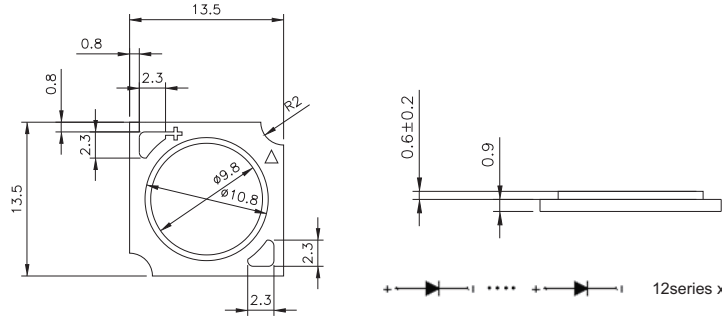


COB / Multi-chips | XUAN1313 Series

COB / Multi-chips



UNIT : mm



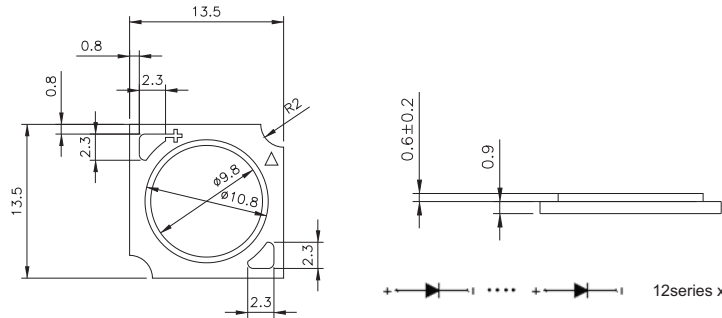
12series x 1parallel

3W / 36V

Product	Size (LxWxHmm)	Forward Voltage (V)	Forward Current (mA)	Color	CCT (K)	Luminous Flux (lm)		CRI (min.)	Luminous Efficacy (lm/W)
						Min.	TYP		
XUAN1313-KM273K6-36103-091T	13.5x13.5.1.6	33.0~41.0	90	● Warm White	2700	365	405	80	125
XUAN1313-KM303K7-36103-091T	13.5x13.5.1.6	33.0~41.0	90	● Warm White	3000	390	430	80	133
XUAN1313-KM353K8-36103-091T	13.5x13.5.1.6	33.0~41.0	90	● Warm White	3500	400	440	80	136
XUAN1313-KM403K9-36103-091T	13.5x13.5.1.6	33.0~41.0	90	○ Neutral White	4000	410	450	80	139
XUAN1313-KT505N1-36103-091T	13.5x13.5.1.6	33.0~41.0	90	○ Cool White	5000	420	465	80	144
XUAN1313-KT575N2-36103-091T	13.5x13.5.1.6	33.0~41.0	90	○ Cool White	5700	430	470	80	145
XUAN1313-KT655N2-36103-091T	13.5x13.5.1.6	33.0~41.0	90	○ Cool White	6500	430	470	80	145



UNIT : mm



12series x 2parallel

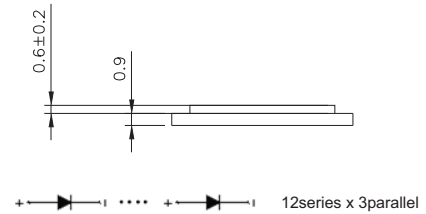
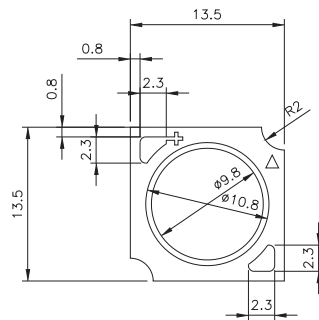
6W / 36V

Product	Size (LxWxHmm)	Forward Voltage (V)	Forward Current (mA)	Color	CCT (K)	Luminous Flux (lm)		CRI (min.)	Luminous Efficacy (lm/W)
						Min.	TYP		
XUAN1313-KM273N7-36206-091T	13.5x13.5.1.6	33.0~41.0	180	● Warm White	2700	720	790	80	121.9
XUAN1313-KM303N8-36206-091T	13.5x13.5.1.6	33.0~41.0	180	● Warm White	3000	760	835	80	128.9
XUAN1313-KM353N9-36206-091T	13.5x13.5.1.6	33.0~41.0	180	● Warm White	3500	780	855	80	131.9
XUAN1313-KM403P1-36206-091T	13.5x13.5.1.6	33.0~41.0	180	○ Neutral White	4000	800	880	80	135.8
XUAN1313-KT505P2-36206-091T	13.5x13.5.1.6	33.0~41.0	180	○ Cool White	5000	830	910	80	140.4
XUAN1313-KT575P2-36206-091T	13.5x13.5.1.6	33.0~41.0	180	○ Cool White	5700	830	920	80	142.0
XUAN1313-KT655P2-36206-091T	13.5x13.5.1.6	33.0~41.0	180	○ Cool White	6500	830	920	80	142.0

COB / Multi-chips | XUAN1313 Series



UNIT : mm

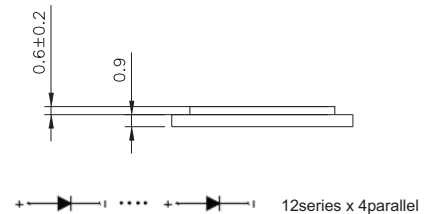
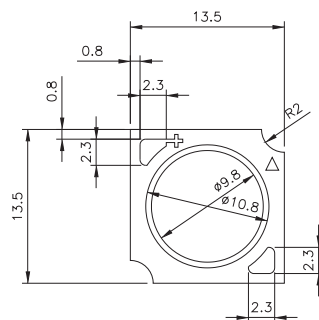


9W / 36V

Product	Size (LxWxHmm)	Forward Voltage (V)	Forward Current (mA)	Color	CCT (K)	Luminous Flux (lm)		CRI (min.)	Luminous Efficacy (lm/W)
						Min.	TYP		
XUAN1313-KM273P4-36309-091T	13.5x13.5.1.6	33.0~41.0	270	● Warm White	2700	1060	1165	80	119.9
XUAN1313-KM303P5-36309-091T	13.5x13.5.1.6	33.0~41.0	270	● Warm White	3000	1115	1225	80	126.0
XUAN1313-KM353P6-36309-091T	13.5x13.5.1.6	33.0~41.0	270	● Warm White	3500	1140	1255	80	129.1
XUAN1313-KM403P7-36309-091T	13.5x13.5.1.6	33.0~41.0	270	○ Neutral White	4000	1175	1290	80	132.7
XUAN1313-KT505P8-36309-091T	13.5x13.5.1.6	33.0~41.0	270	○ Cool White	5000	1215	1335	80	137.3
XUAN1313-KT575P8-36309-091T	13.5x13.5.1.6	33.0~41.0	270	○ Cool White	5700	1215	1350	80	138.9
XUAN1313-KT655P8-36309-091T	13.5x13.5.1.6	33.0~41.0	270	○ Cool White	6500	1215	1350	80	138.9



UNIT : mm



12W / 36V

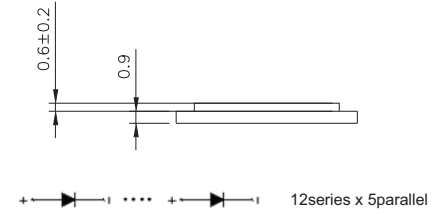
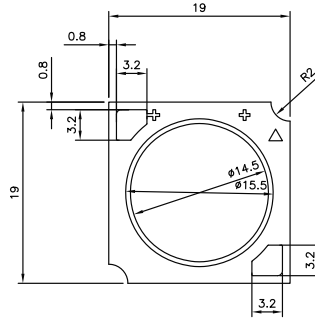
Product	Size (LxWxHmm)	Forward Voltage (V)	Forward Current (mA)	Color	CCT (K)	Luminous Flux (lm)		CRI (min.)	Luminous Efficacy (lm/W)
						Min.	TYP		
XUAN1313-KM273S1-36412-091T	13.5x13.5.1.6	33.0~41.0	360	● Warm White	2700	1325	1460	80	112.7
XUAN1313-KM303S2-36412-091T	13.5x13.5.1.6	33.0~41.0	360	● Warm White	3000	1395	1535	80	118.4
XUAN1313-KM353S3-36412-091T	13.5x13.5.1.6	33.0~41.0	360	● Warm White	3500	1430	1570	80	121.1
XUAN1313-KM403S4-36412-091T	13.5x13.5.1.6	33.0~41.0	360	○ Neutral White	4000	1470	1620	80	125.0
XUAN1313-KT505S5-36412-091T	13.5x13.5.1.6	33.0~41.0	360	○ Cool White	5000	1520	1670	80	128.9
XUAN1313-KT575S5-36412-091T	13.5x13.5.1.6	33.0~41.0	360	○ Cool White	5700	1520	1690	80	130.4
XUAN1313-KT655S5-36412-091T	13.5x13.5.1.6	33.0~41.0	360	○ Cool White	6500	1520	1690	80	130.4

COB / Multi-chips | XUAN1919 Series

COB / Multi-chips



UNIT : mm

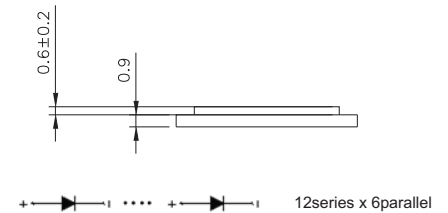
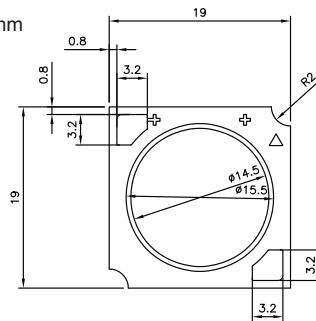


16W / 36V

Product	Size (LxWxHmm)	Forward Voltage (V)	Forward Current (mA)	Color	CCT (K)	Luminous Flux (lm)		CRI (min.)	Luminous Efficacy (lm/W)
						Min.	TYP		
XUAN1919-KM273P8-36516-0E1T	19x19x1.6	33.0~41.0	450	● Warm White	2700	1820	2005	80	123.8
XUAN1919-KM303P9-36516-0E1T	19x19x1.6	33.0~41.0	450	● Warm White	3000	1920	2110	80	130.2
XUAN1919-KM353M1-36516-0E1T	19x19x1.6	33.0~41.0	450	● Warm White	3500	1965	2160	80	133.3
XUAN1919-KM403M2-36516-0E1T	19x19x1.6	33.0~41.0	450	○ Neutral White	4000	2020	2225	80	137.3
XUAN1919-KT505M4-36516-0E1T	19x19x1.6	33.0~41.0	450	○ Cool White	5000	2100	2300	80	142.0
XUAN1919-KT575M4-36516-0E1T	19x19x1.6	33.0~41.0	450	○ Cool White	5700	2100	2320	80	143.2
XUAN1919-KT655M4-36516-0E1T	19x19x1.6	33.0~41.0	450	○ Cool White	6500	2100	2320	80	143.2



UNIT : mm



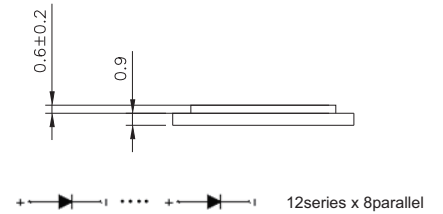
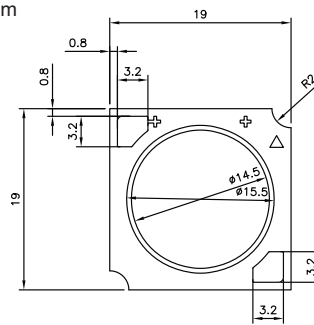
17W / 36V

Product	Size (LxWxHmm)	Forward Voltage (V)	Forward Current (mA)	Color	CCT (K)	Luminous Flux (lm)		CRI (min.)	Luminous Efficacy (lm/W)
						Min.	TYP		
XUAN1919-KM273M5-36617-0E1T	19x19x1.6	33.0~41.0	540	● Warm White	2700	2150	2360	80	121.4
XUAN1919-KM303M6-36617-0E1T	19x19x1.6	33.0~41.0	540	● Warm White	3000	2250	2485	80	127.8
XUAN1919-KM353M7-36617-0E1T	19x19x1.6	33.0~41.0	540	● Warm White	3500	2300	2545	80	130.9
XUAN1919-KM403M8-36617-0E1T	19x19x1.6	33.0~41.0	540	○ Neutral White	4000	2350	2620	80	134.8
XUAN1919-KT505M9-36617-0E1T	19x19x1.6	33.0~41.0	540	○ Cool White	5000	2450	2710	80	139.4
XUAN1919-KT575M9-36617-0E1T	19x19x1.6	33.0~41.0	540	○ Cool White	5700	2450	2735	80	140.7
XUAN1919-KT655M9-36617-0E1T	19x19x1.6	33.0~41.0	540	○ Cool White	6500	2450	2735	80	140.7

COB / Multi-chips | XUAN1919 Series



UNIT : mm

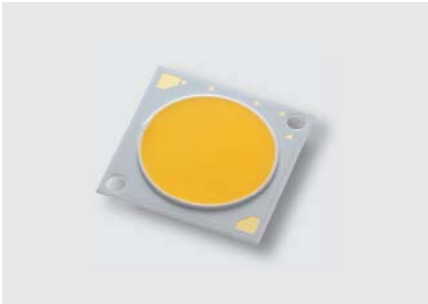


25W / 36V

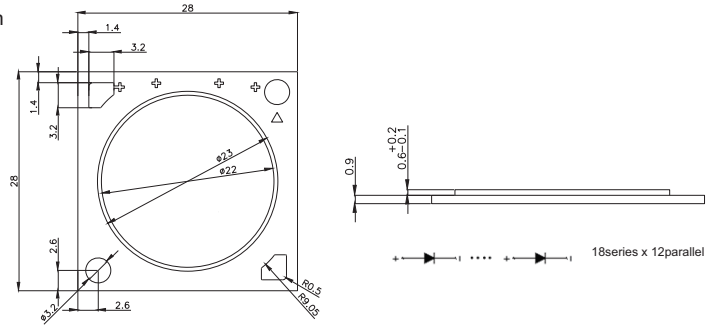
Product	Size (LxWxHmm)	Forward Voltage (V)	Forward Current (mA)	Color	CCT (K)	Luminous Flux (lm)		CRI (min.)	Luminous Efficacy (lm/W)
						Min.	TYP		
XUAN1919-KM273Q4-36825-0E1T	19x19x1.6	33.0~41.0	720	● Warm White	2700	2800	3090	80	119.2
XUAN1919-KM303Q5-36825-0E1T	19x19x1.6	33.0~41.0	720	● Warm White	3000	2900	3255	80	125.6
XUAN1919-KM353Q6-36825-0E1T	19x19x1.6	33.0~41.0	720	● Warm White	3500	3000	3335	80	128.7
XUAN1919-KM403Q7-36825-0E1T	19x19x1.6	33.0~41.0	720	○ Neutral White	4000	3100	3435	80	132.5
XUAN1919-KT505Q8-36825-0E1T	19x19x1.6	33.0~41.0	720	○ Cool White	5000	3200	3550	80	137.0
XUAN1919-KT575Q8-36825-0E1T	19x19x1.6	33.0~41.0	720	○ Cool White	5700	3200	3580	80	138.1
XUAN1919-KT655Q8-36825-0E1T	19x19x1.6	33.0~41.0	720	○ Cool White	6500	3200	3580	80	138.1

COB / Multi-chips | XUAN2828 Series

COB / Multi-chips

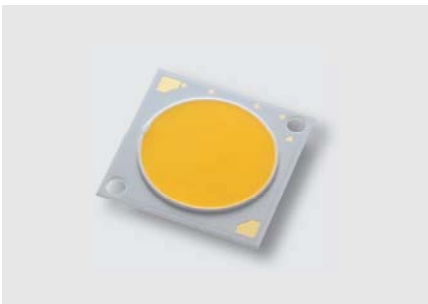


UNIT : mm

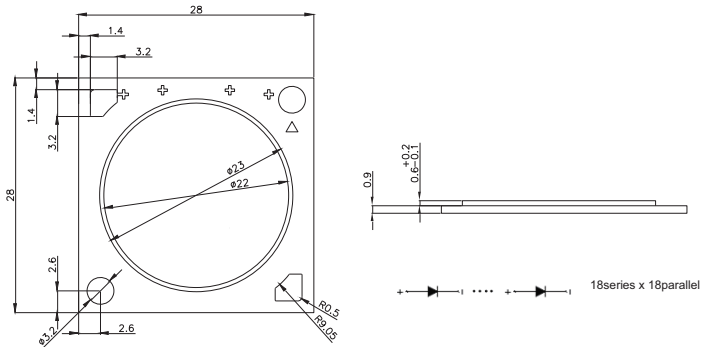


58W / 54V

Product	Size (LxWxHmm)	Forward Voltage (V)	Forward Current (mA)	Color	CCT (K)	Luminous Flux (lm)		CRI (min.)	Luminous Efficacy (lm/W)
						Min.	TYP		
XUAN2828-KM273R2-54C58-0M1T	28x28x1.6	52.0~61.0	1080	● Warm White	2700	5920	6510	80	111.6
XUAN2828-KM303R3-54C58-0M1T	28x28x1.6	52.0~61.0	1080	● Warm White	3000	6235	6860	80	117.6
XUAN2828-KM353R4-54C58-0M1T	28x28x1.6	52.0~61.0	1080	● Warm White	3500	6390	7030	80	120.5
XUAN2828-KM403R5-54C58-0M1T	28x28x1.6	52.0~61.0	1080	○ Neutral White	4000	6580	7240	80	124.1
XUAN2828-KT505R6-54C58-0M1T	28x28x1.6	52.0~61.0	1080	○ Cool White	5000	6800	7480	80	128.3
XUAN2828-KT575R6-54C58-0M1T	28x28x1.6	52.0~61.0	1080	○ Cool White	5700	6800	7545	80	129.4
XUAN2828-KT655R6-54C58-0M1T	28x28x1.6	52.0~61.0	1080	○ Cool White	6500	6800	7545	80	129.4



UNIT : mm



88W / 54V

Product	Size (LxWxHmm)	Forward Voltage (V)	Forward Current (mA)	Color	CCT (K)	Luminous Flux (lm)		CRI (min.)	Luminous Efficacy (lm/W)
						Min.	TYP		
XUAN2828-KM273G4-54J88-0M1T	28x28x1.6	52.0~61.0	1620	● Warm White	2700	8540	9400	80	107.5
XUAN2828-KM303G5-54J88-0M1T	28x28x1.6	52.0~61.0	1620	● Warm White	3000	9000	9900	80	113.2
XUAN2828-KM353G6-54J88-0M1T	28x28x1.6	52.0~61.0	1620	● Warm White	3500	9220	10140	80	115.9
XUAN2828-KM403G7-54J88-0M1T	28x28x1.6	52.0~61.0	1620	○ Neutral White	4000	9500	10445	80	119.4
XUAN2828-KT505G8-54J88-0M1T	28x28x1.6	52.0~61.0	1620	○ Cool White	5000	9800	10800	80	123.5
XUAN2828-KT575G8-54J88-0M1T	28x28x1.6	52.0~61.0	1620	○ Cool White	5700	9900	10890	80	124.5
XUAN2828-KT655G8-54J88-0M1T	28x28x1.6	52.0~61.0	1620	○ Cool White	6500	9900	10890	80	124.5