

# LED Lighting

## High Power Linear LED Luminaire HPL series



### Features

- High efficiency luminaire 130lm/W
- High performance Philips LED emitters
- Meanwell HLG LED driver
- Long life, zero maintenance
- IP66 rating
- Choice of colour temperatures
- Choice of optics
- 1-10v Dimmable option
- 5 year warranty

### Description

Designed for industrial and commercial high/low bay applications the HPL series luminaires is an IP66 rated linear fixture for industrial and commercial environments. The HPL Series offers a rugged design with exceptional performance and high reliability and multi-functional applications include Industrial lighting, warehouse lighting, viaduct lighting, bridge lighting, tunnel lighting, gas station lighting, billboard lighting etc.,

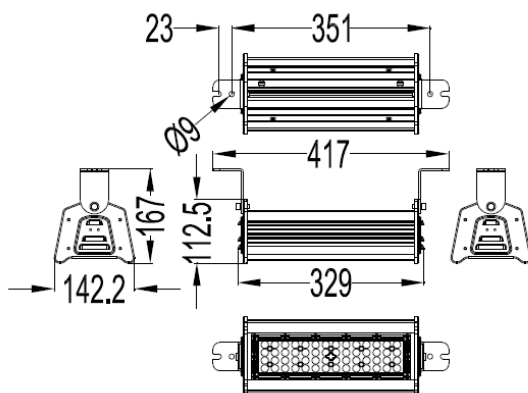
### Specifications

Model	Input voltage (Vac)	Power (W)	CCT°K	Total Flux (lm) typ	Beam Angle	CRI (Ra)	Dimensions (mm)
HP-L060-CCT-xx	100-277V	60	6000K 5000K 4000K	7800	90° 30°x100° 65°x100° 70°x135°	>80	329x142x112
HP-L110-CCT-xx		110		14300			624x142x112
HP-L160-CCT-xx		160		20800			919x142x112
HP-L210-CCT-xx		210		27300			1214x142x112
HP-L250-CCT-xx		250		32500			1509x142x112
HP-L320-CCT-xx		320		41600			1804x142x112

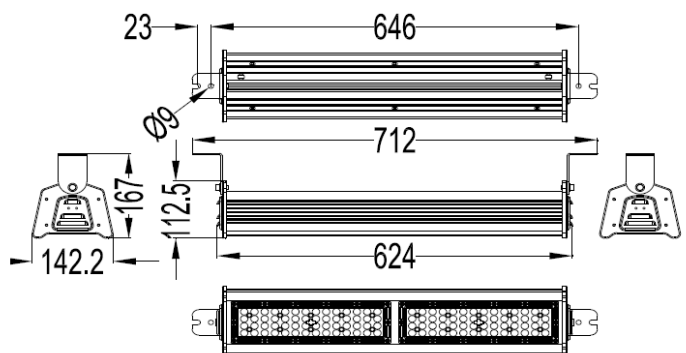
XX Denotes beam angle optics

May be mounted by brackets or hung by chain

### Dimensions L060

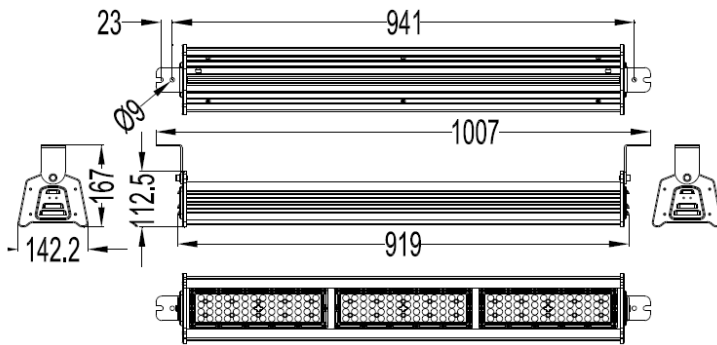


### Dimensions L110

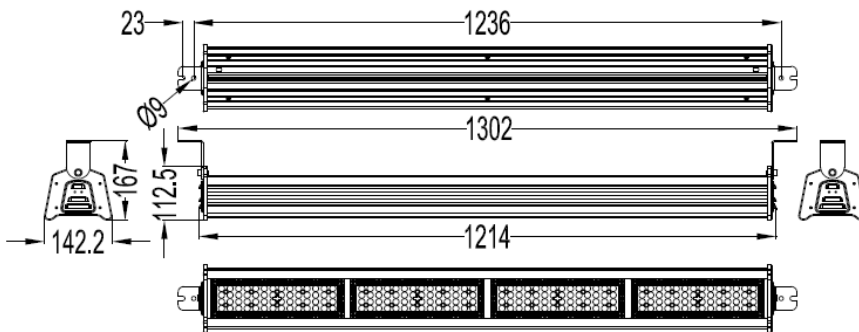


### Dimensions L160

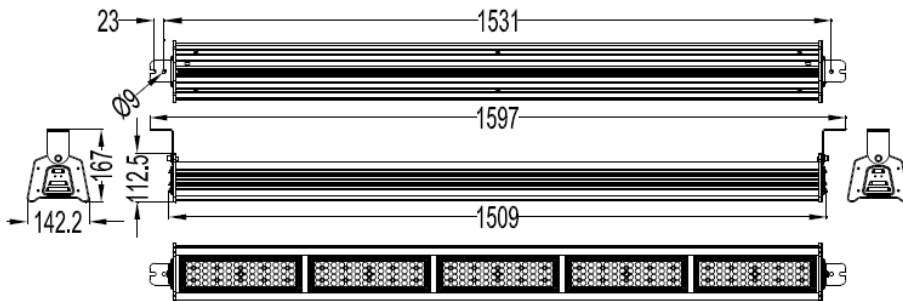
Specifications may be subject to change without notice



**Dimensions L210**



**Dimensions L250**



**Dimensions L320**

