

Constant Voltage Flexible LED Strip

Features

- Dimmable Constant Voltage Flexible LED strip
- High efficacy 2835 SMD emitters
- Easy to cut at intervals
- Wide 120° angle of emission
- Low power low heat, long life
- 3M Adhesive backing tape



Applications

POS Display equipment, signage, accent & decorative lighting

Configuration

Part No. series	PF5000x8-600SL2835-xx
LEDs / metre	120
LED Pitch	8.33mm
Reel Size / Qty	5M/600
Strip Width No coating IP20	8.0mm

Maximum Electrical Characteristics Ta=25°C

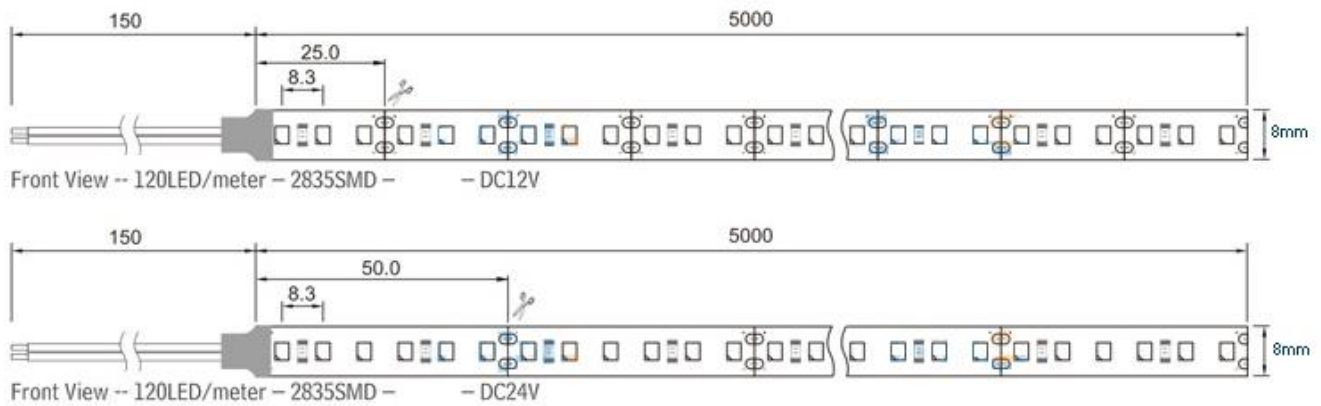
Parameter	12VDC	24VDC	Unit
Input Voltage	12v Typical	24v Typical	VDC
Current consumption / metre (max)	800mA	400mA	mA/m
Current consumption total (max)	4.0A	2.0A	A/ TOT / reel
Power consumption / metre (max)	9.6W		W/m
Power consumption total (max)	48W +/- 5%		W/TOT / reel
Operating Temp	-20 to +45°C	-20 to +45°C	°C
Storage Temp	-10 to +55°C	-10 to +55°C	°C

Optical Characteristics Ta=25°C

Colour	CCT typ.	Luminous Flux Typ. (lm/m)	CRI	Viewing Angle
Pure White	6000 ~ 6500K	1250 - 1400lm	>90	120°
Daylight White	5000 ~ 5500K	1250 - 1400lm		
Natural White	4000 ~ 4500K	1250 - 1400lm		
Warm White	2600 ~ 2800K	1180 - 1280lm		

Luminous Flux values quoted are typical. Please contact our office for the latest luminous intensity yields

Dimensions



Notes:

Higher luminous intensity versions are also available configured for increased current drive (power). It is recommended that higher power types >11W are mounted on a suitable heatsink i.e. aluminium to allow cooling and maintain LED life.

The rated life of LED products depends to a large extent on the temperature. If the permissible temperature limits are exceeded, LED lifetimes will be greatly reduced and may lead to catastrophic failure of the LEDs.

Handling notes:

Ensure that the correct low voltage dc power supply is matched to the flexible strip specification

Avoid repeated bending of the strip as this will damage the circuit and components

Avoid handling of the surface components, in particular the LED emitters, as any pressure may result in damage and latent failures.

When cutting IP65 the ingress protection will be compromised please ensure that the assembly is re-sealed accordingly, in order to maintain the IP rating

Installation notes:

To achieve a consistent luminous effect, each 5 metre length should be connected to the power source.

To ensure long life we recommend that the strip is kept as cool as possible. Environments where the temperature exceeds 40°C should be avoided

Drive & Control:

For control solutions please refer to our range of controllers and drive options which include DMX, RF Wireless, WiFi. More information may be found at <http://www.plusopto.co.uk/led-controllers.html>