

LED Lighting

Gimbal LED Downlight PFD185GSB-20W_30W series



Features

- High performance LED luminaire
- Energy efficient
- Long life, zero maintenance
- No Flicker, instant start
- Tough, robust construction
- Dimmable option
- Emergency pack available

Description

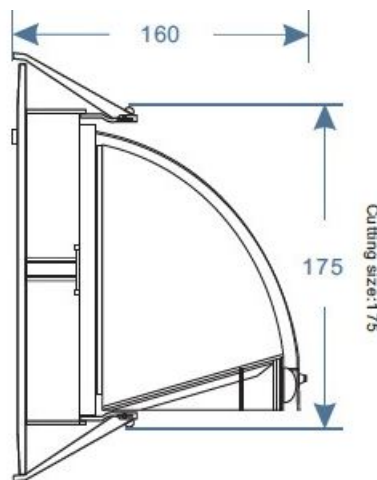
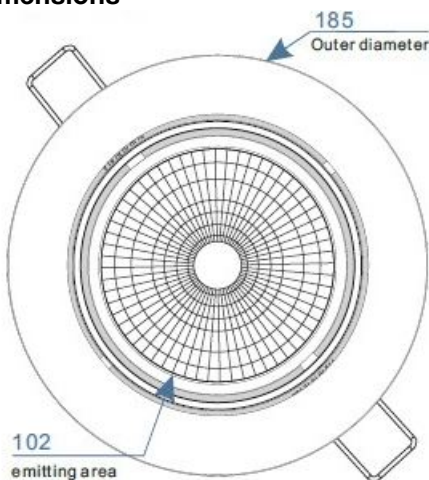
The PFD185GSB series are gimbal LED fittings designed for downlighting in recessed ceilings in retail display schemes. The lightweight construction is designed with excellent thermal properties and lumen output. The downlight is easily fixed via integral spring clips and powered by an external ac mains driver.

Electrical & Optical specification

Driver input voltage	Power Factor	Ingress Protection	Operating Humidity	Operating Temperature
100~240vac	>0.9	IP33	RH 20 ~+85%	-15 ~ +55°C

Part Number	Wattage (W)	CRI	Total Flux (lm) typ	CCT (°K)	Beam Angle	Lifetime L70 (hrs) @25°C
PFD185GSB-20W-CW-xx	20	>82	2000	6000 ~ 6500	30° or 50°	>50,000
PFD185GSB-20W-PW-xx			2000	5000 ~ 5500		
PFD185GSB-20W-NAW-xx			1950	4000 ~ 4500		
PFD185GSB-20W-WW-xx			1800	2800 ~ 3200		
PFD185GSB-30W-CW-xx	30		2800	6000 ~ 6500		
PFD185GSB-30W-PW-xx			2800	5000 ~ 5500		
PFD185GSB-30W-NAW-xx			2700	4000 ~ 4500		
PFD185GSB-30W-WW-xx			2600	2800 ~ 3200		

Dimensions



Driver options include:

- 1-10v and DALI dimming
- ac mains dimming (triac)
- Emergency lighting pack
- Sensor dimming

Notes:

Use in conjunction with low voltage constant current drive systems
These units are designed for low voltage dc operation and should only be connected to ac mains via a suitable LED driver (supplied)
Luminous Flux values quoted are typical. Please contact our office for the latest luminous intensity yields
Specifications may be subject to change without notice