

LED Lighting

LED Gimbal Spotlight PFD195GSE series



Features

- Replacement for Halogen downlights
- Choice of power ratings 21W to 40W
- High Efficient 150lm/W COB LED array
- Gimbal design adjustable 360°H and 60°V
- Energy and maintenance savings
- High CRI
- Choice of beam angle
- Philips approved driver

Description

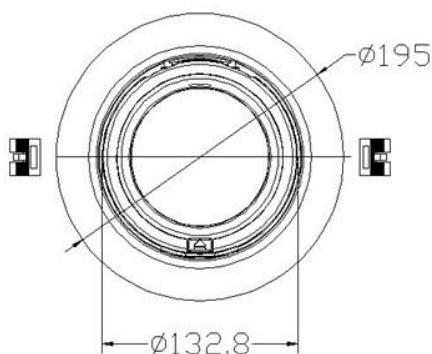
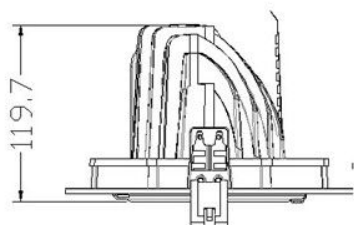
The PFD195GS series are LED fittings designed for downlighting in retail lighting schemes. The lightweight construction is designed with excellent thermal properties and the light output is consistent and even with low glare. The downlight is easily fixed via integral spring clips into suspended ceilings and powered by external ac mains driver.

Electrical & Optical specification

Part Number	Wattage (W)	CRI	Total Flux (lm)	CCT (°K)	Beam Angle	Hole size (mm)
PFD195GSE-21W-PW-xx	21	>80	2100	5000	24°/60°	Φ165 - 180
PFD195GSE-21W-NAW-xx			2000	4000		
PFD195GSE-21W-WW-xx			1900	3000		
PFD195GSE-30W-PW-xx	30		3000	5000		
PFD195GSE-30W-NAW-xx			2850	4000		
PFD195GSE-30W-WW-xx			2700	3000		
PFD195GSE-35W-PW-xx	35		3500	5000		
PFD195GSE-35W-NAW-xx			3300	4000		
PFD195GSE-35W-WW-xx			3150	3000		
PFD195GSE-40W-PW-xx	40		4000	5000		
PFD195GSE-40W-NAW-xx			3800	4000		
PFD195GSE-40W-WW-xx			3600	3000		

xx denotes angle

Dimensions



Driver options include:

- 1-10v and DALI dimming
- ac mains dimming (triac)
- Emergency lighting pack
- Sensor dimming

Notes:

Use in conjunction with low voltage constant current drive systems
These units are designed for low voltage dc operation and must not be connected directly to ac mains
Luminous Flux values quoted are typical. Please contact our office for the latest luminous intensity yields
Specifications may be subject to change without notice