

LED Lighting

LED Gimbal Downlight PFD68G-3W series



Features

- Replacement for traditional Halogen downlights
- High output, High efficiency
- Gimbal design may be rotated 15°
- Choice of beam angles
- High reliability
- External constant voltage control gear required
- Dimmable options
- Rated IP20

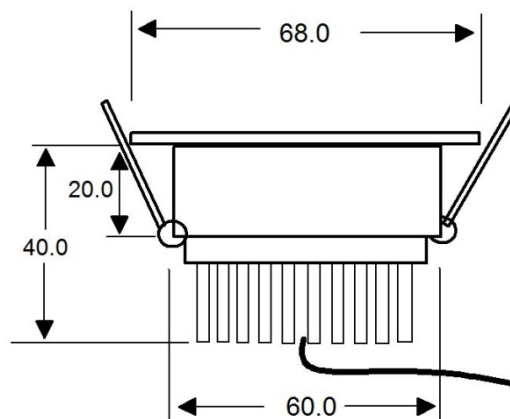
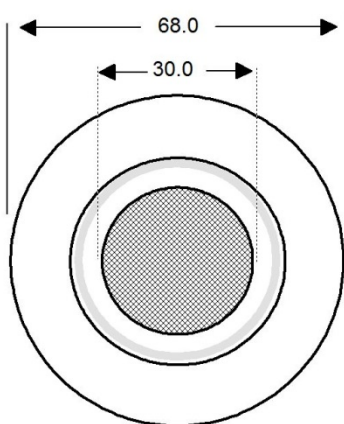
Description

The PFD68G series compact gimbal downlights are designed for retail and POS applications as a low energy replacement for traditional fittings. Constructed from powder coated, die cast aluminium with reflector the downlight is available in a choice of colour temperatures and is easily fixed via spring clips. The fitting must be used in conjunction with 12v max constant current controller/driver interface.

Part Number	Wattage (W)	CRI	Total Flux (lm)	CCT (°K)	Beam Angle	Dimensions
PFD68G-3W-CW-xx-12v	3	>82	300	6000	20° 30° 60°	Ø68mm Bezel Ø60mm Cut-out
PFD68G-3W-PW-xx-12v			300	5000		
PFD68G-3W-NAW-xx-12v			300	4000		
PFD68G-3W-WW-xx-12v			285	3000		

Suffix: Cable length (standard 300mm)
Available with XHP2 connectors to suit the PSU-10P distribution box
External drivers available for mains operation

Dimensions



60mm Ø Hole cut-out

Must be used in conjunction with external LED drivers
Specifications may be subject to change without notice