

powered by

**TRIDONIC**

## SLE Gen6 ADV

### COB Selector Guide

#### Features

- Luminous flux up to 9,960 lm @ t<sub>p</sub> = 65 °C
- High efficacy up to 180 lm/W @ t<sub>p</sub> = 25 °C
- High system efficacy up to 154 lm/W @ t<sub>p</sub> = 65 °C
- High colour consistency (MacAdam 3)
- Excellent thermal management by COB technology
- Uniform radiation with Dam & Fill technology
- Cooling required
- Flexible current operating modes
- 5-year guarantee



**Applications:** Spotlights and downlights. High power arrays & light engines

#### Technical data

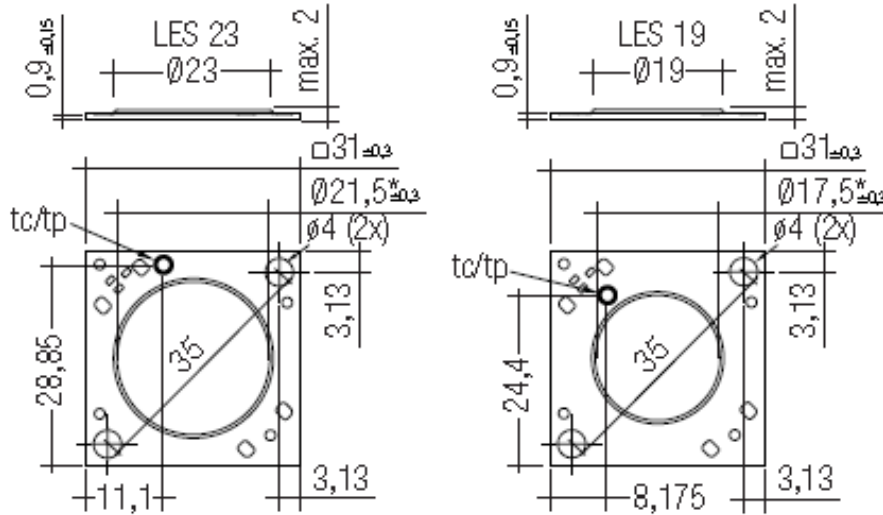
Part No. series	I rated (mA)	I max (mA)	tc	CCT	CRI	Beam Angle
LES10	350	500	Up to 100°C	2700K 3000K 4000K	>80, >90	115°
LES15	500	900				
LES17	900	1200				
LES19	1050	1400				
LES23	1400	2000				

#### Specifications in operating mode

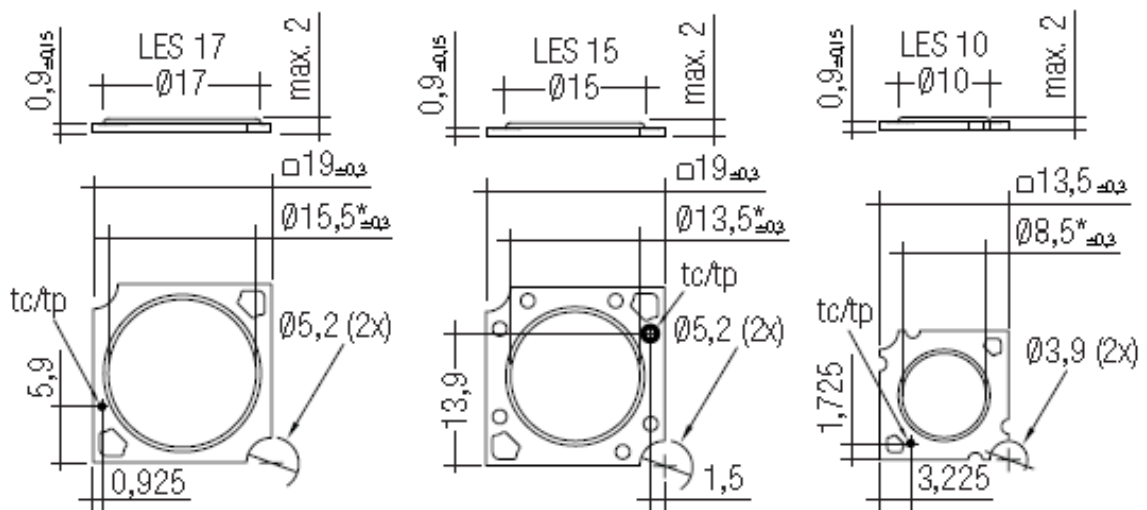
Part No. series	Operating Current / mode I (mA)	Max. forward voltage @ t <sub>p</sub> = 25 °C	Power (W)	Lumen typ. @ t <sub>p</sub> = 25 °C
LES10	250mA HE	39.1v	8.8W	1200lm
	350mA NM	40.3v	12.7W	1500lm
	500mA HO	42.4v	19.1W	1900lm
LES15	350mA HE	37.4v	11.8W	1800lm
	500mA NM	38.4v	17.3W	2200lm
	900mA HO	40.9v	33.1W	3700lm
LES17	500mA HE	31.1v	17.0W	2500lm
	900mA NM	32.9v	32.4W	4200lm
	1200mA HO	34.2v	44.9W	5100lm
LES19	500mA HE	37.3v	16.8W	2600lm
	1050mA NM	40.1v	37.8W	5200lm
	1400mA HO	41.7v	52.5W	6500lm
LES23	700mA HE	37.2v	23.4W	400lm
	1400mA NM	39.6v	49.9W	7500lm
	2000mA HO	41.6v	74.8W	9800lm

Current modes: HE = High Efficiency, NM = Nominal Mode, HO – High Output

**Dimensions**

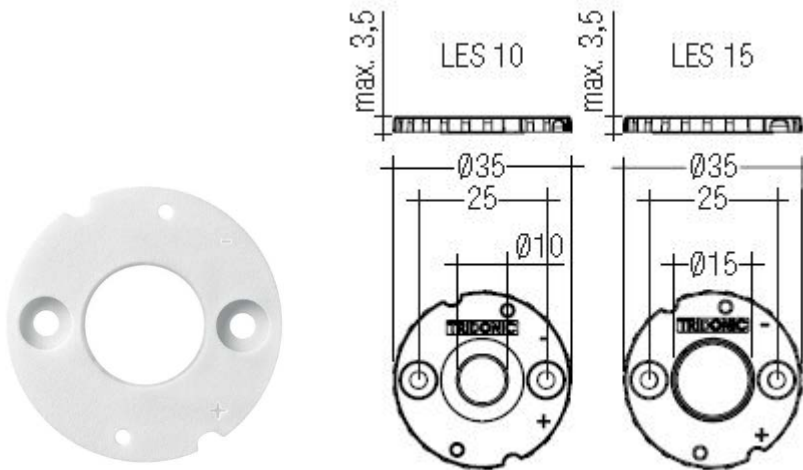


Dimensions in mm, \*optical LES



Dimensions in mm, \*optical LES

### Dimensions SLE Housing



35 mm housing with 25 mm mounting hole distance according to Zhaga standard

### Drive & Control:

For control solutions please refer to our range of controllers and drive options which include DMX, RF Wireless, WiFi. More information may be found at <http://www.plusopto.co.uk/led-controllers.html>

Please refer to individual data sheets for full specifications including de-rating etc.

Specifications may be subject to change without notice