

★ **COMMODITY: 8mm WEDGE BASE LED LAMP**

★ **Part number: WG-BZ53N9**

★ **ELECTRICAL AND OPTICAL CHARACTERISTICS (Ta=25°C)**

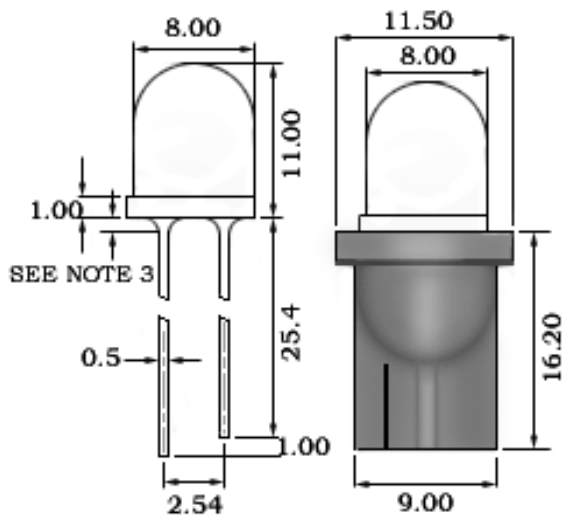
Peak Wavelength $\lambda_p$ (nm)	Absolute Maximum Ratings			Electro-Optical Data(At=20mA)			
	Pd (Mw)	If (mA)	Peak If(mA)	Vf(v)		IV TYP.(mcd)	Viewing Angle(deg)
				Typ.	Max.		
White	120	30	150	12	12.5	5000	60

★ **LENS APPEARANCE: Water Clear**

**ABSOLUTE MAXIMUM RATINGS(Ta=25°C)**

Reverse Voltage .....5V  
 Reverse Current (-Vr=5V) .....100uA  
 Operating Temperature Range ..... -40°C-85°C  
 Storage Temperature ..... -40°C-85°C  
 Lead Soldering Temperature (1/16''From Body) .....260°C-For 5 Seconds

★ **Package Dimensions**



1. All dimensions are in millimeters
2. Tolerance is +/-0.25mm
3. Lead spacing is measured where the leads emerge from the package
4. Specifications are subject to change without notice.