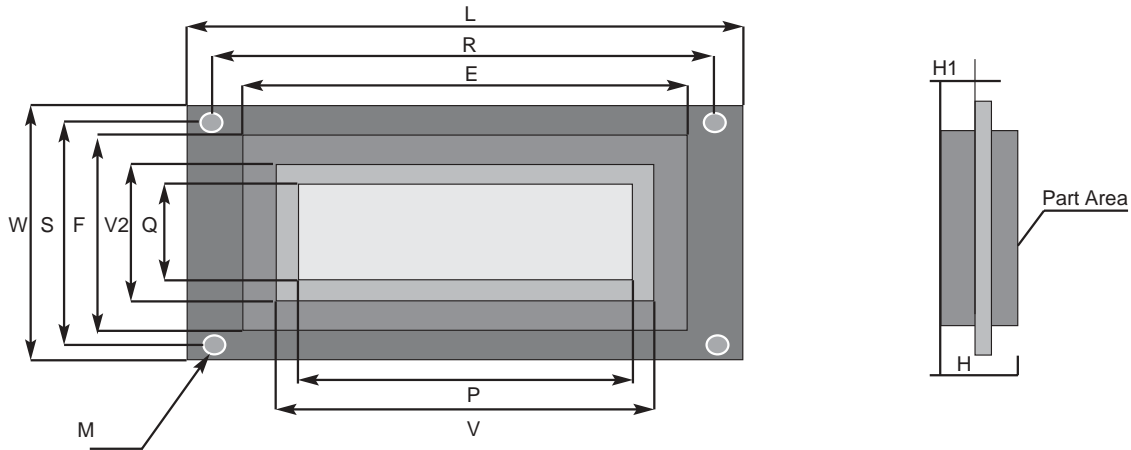


Checklist for Custom Designed LCM

1. Dimensions

- L x W : Module size _____ x _____mm
- E x F : Bezel size _____ x _____mm
- V1 x V2 : View Area _____ x _____mm
- P x Q : Display Area _____ x _____mm
- R : Length between mounting holes _____mm
- S : Length between mounting holes _____mm
- M : Diameter of mounting hole _____mm
- H : Total thickness _____mm
- H1 : Upper thickness _____mm



2. Display Resolution

Graphic Type

Resolution: _____ x _____
 Dot size: a= _____mm x c= _____mm
 Dot pitch: b= _____mm x d= _____mm
 Active area: a= _____mm x b= _____mm

Character Type

Resolution: _____ character x _____ lines
 Font: 5x7 5x8
 5x11 5x7 cursor
 Dot size: e= _____mm x g= _____mm
 Dot pitch: f= _____mm x h= _____mm
 Character size: c= _____mm x d= _____mm

3. Display Mode

- * viewing angle: (viewing Direction)
 - 6 O'clock 12 O'clock _____ O'clock
- * type
 - STN Yellow Grey Blue
 - FSTN Normally Black Normally White
 - Others _____.
 - Positive type Negative type
- Rear Polarizer:
 - Reflective Transflective Transmissive

4. Polarizer

- * Visual Specifications
 - Normal Anti-glare
 - Special Requirement _____.

5. Operation Voltage

- Operation Voltage _____V
- Multiplexing: 1/ _____ Duty, 1/ _____ Bias
- According to Winstar's Design
- * frame frequency _____Hz

6. IC

- Controller: _____ Built-in External
- Driver: Segment drive _____.
- Common drive _____.
- According to Winstar's Design

7. Developing Schedule

- * Sample: delivery _____ quantity _____ pcs
- * Mass production: delivery _____.
- quantity _____ pcs/month
- total quantity _____ pcs

8. Power Source

- * Single power supply 5V _____V
- * 2 power supplies
- for logic: VDD-VSS= _____V
- for LCD drive: VDD-VO= _____V

9. Contrast Adjust

- * Method: _____.
- Built-in External

10. Temperature Range

- * Operating temperature range:
 - _____°C to _____°C
- * Storage temperature range
 - _____°C to _____°C