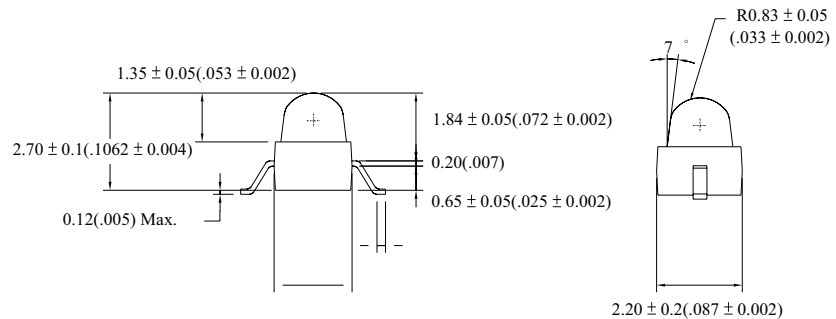
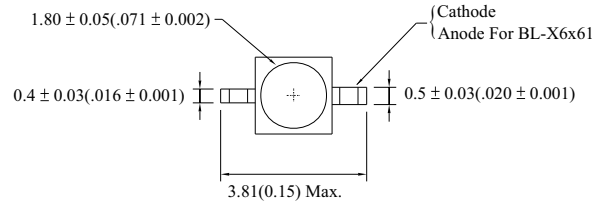




AXIAL LED LAMPS WITH / GULL WING / LEAD



BL-Xxx61-F7 Series



Absolute Maximum Ratings(Ta=25°C)

	UNIT	SPEC.
IF	mA	30
IFp	mA	100
V _R	V	5
Top	°C	-25~+80
Tstg	°C	-30~+85

NOTE:

- 1.All dimensions are in millimeters(inches).
- 2.Tolerance is ± 0.10(.004") unless otherwise specified.
- 3.Specifications are subject to change without notice.
- 4.Condition for IFp is pulse of 1/10 duty and 0.1msec width.

Part No.	Chip				Lens Appearance	Electro-optical Data (At 20mA)				Viewing Angle 2θ 1/2 (deg)
	Material	Emitted Color	λ p (nm)	Δ λ (nm)		V _f (V)		I _v (mcd)		
						Typ.	Max.	Min.	Typ.	
BL-X1161-F7	GaAsP/GaAs	Red	655	40	Red Diffused	1.7	2.0	0.8	2.0	55
BL-X2161-F7	GaP/GaP	Green	568	30	Green Diffused	2.2	2.6	3.0	7.0	
BL-X3161-F7	GaAsP/GaP	Yellow	585	35	Yellow Diffused	2.1	2.6	1.5	4.0	
BL-X4561-F7	GaAsP/GaP	Hi-Eff Red	635	45	Red Diffused	2.0	2.6	2.5	6.0	
BL-X5161-F7	GaP/GaP	Bright Red	700	90	Red Diffused	2.2	2.6	1.2	3.0	
BL-X6161-F7	GaAlAs	Super Red	660	20	Red Diffused	1.7	2.6	6.0	15.0	
BL-X2361-F7	GaP/GaP	Green	568	30	Water Clear	2.2	2.6	18.0	45.0	35
BL-X3361-F7	GaAsP/GaP	Yellow	585	35	Water Clear	2.1	2.6	12.0	30.0	
BL-X4361-F7	GaAsP/GaP	Orange	635	45	Water Clear	2.0	2.6	16.0	40.0	
BL-X6361-F7	GaAlAs	Super Red	660	20	Water Clear	1.7	2.6	24.0	60.0	
BL-X9361-F7	GaP/GaP	Pure Green	555	25	Water Clear	2.2	2.6	6.0	15.0	
BL-XJ361-F7	AlGaInP	Super Orange	620	17	Water Clear	2.0	2.6	60.0	150.0	
BL-XK361-F7	AlGaInP	Super Yellow	588	15	Water Clear	2.0	2.6	60.0	150.0	