

**LAMP REPLACEMENT LED CLUSTER P19 series**

**Features:**

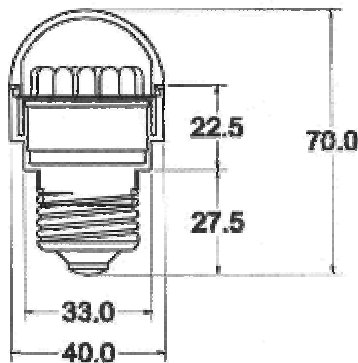
- Easy Installation uses existing socket.
- Maintenance free. Operating life up to 100,000 hours.
- Energy saving. Low Power consumption.
- Solid state fast turn on. No power surge
- Low heat generation.
- Vibration resistant
- Custom design available



• **Part selection and electro-optical Characteristics (ratings @ Ta = 25°C)**

PART NO	COLOUR		Wavelength $\lambda_{Dnm}$	No. Of LED lamps	Power Watts (W)	luminous intensity (cd)	viewing angle $2\theta_{1/2}$ (deg)
	Emitted	Lens			Typ.	Typ .	
P19S-E2701R	Red	Smooth	660	19	2	50	30
P19R-E2701R	Red	Rough	660	19	2	40	45
P19S-E2701YS	Yellow	Smooth	587	19	2	60	30
P19R-E2701YS	Yellow	Rough	587	19	2	50	45
P19S-E2701G	Green	Smooth	525	19	2	60	30
P19R-E2701G	Green	Rough	525	19	2	50	45
P19S-E2701B	Blue	Smooth	470	19	2	50	30
P19R-E2701B	Blue	Rough	470	19	2	40	45
P19S-E2701W	White	Smooth	X=0.28~0.32 y=0.27~0.33	19	2	50	30
P19R-E2701W	White	Rough	X=0.28~0.32 y=0.27~0.33	19	2	40	45

• **Package Dimensions**



Specifications may be subject to change without notice.