

# LED Lighting

## 3 LED Down-lighter PFD95G-3x3



LIGHTING PERFORMANCE				
Model	Light Source	LED Qty	Lumen Output	Expected Life
Single -Colour	Cree	3	360@ 700mA	50,000 hrs+
<i>NB: Lumen values quoted based on Cool White (6500°K)</i>				

OPERATING DETAILS		
Model	Input Power	Ambient Temp Range
Single -Colour	9W @700mA	-10 to +40°C

INPUT DATA				
Model	Drive Current	Voltage	Power Supply	Connection
Single -Colour	700mA	12v	Constant Voltage	Flying lead

### Features

- ❑ No additional fittings required
- ❑ Powered by 3 Cree 1W LEDs
- ❑ 700mA max drive current
- ❑ Tough and Durable machined aluminium housing

### Description

The PFD93G-3 is a compact LED fitting suited to down-lighting applications. Designed with excellent thermal properties and integral drive circuit. Typical applications include Retail display lighting and task lighting. The LED down-light has a built in tilting gimble to provide a wide range of adjustment.

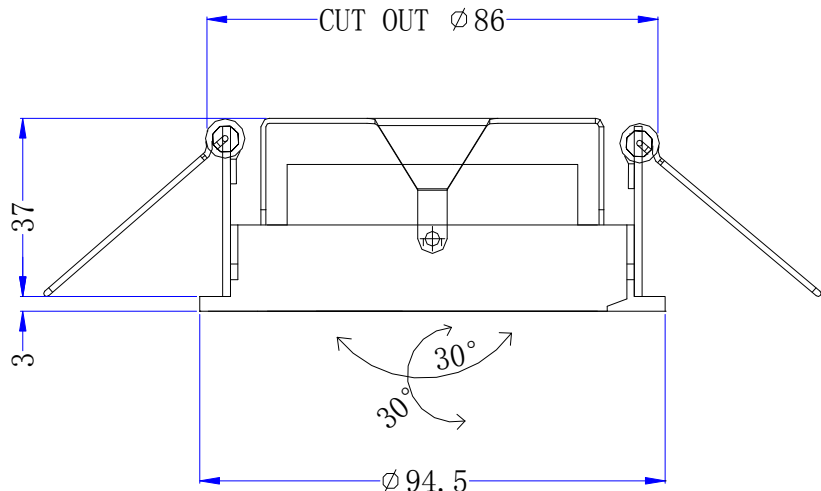
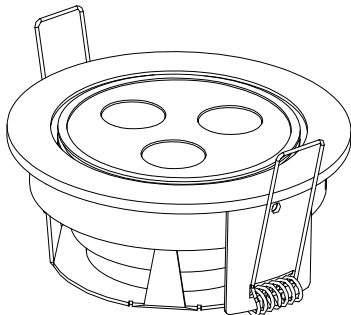
PHYSICAL DETAILS			
Model	Mounting Type	Finish	Ingress Protection
Single -Colour	Spring Clip	Matt Silver Anodised	N/A

OPTIONS	
Model	Optics
Single -Colour	30 degrees

COLOURS	
Model	Single LED Colours
Single -Colour	Red, Green, Blue, Amber, Cool White, Neutral White, Warm White

RECOMMENDED DRIVERS	
Model	
PSU-LED-10CV-12	

### Dimensions



### Note

PFD95G-3 Suffix xx denotes colour & beam angle  
Use in conjunction with low voltage constant voltage drive systems  
These units are designed for low voltage dc operation and must not be connected to ac mains  
Luminous Flux values quoted are typical. Please contact our office for the latest luminous intensity yields  
Specifications may be subject to change without notice