

## PFT Series High-Power LED Fitting

### Features

- High Power, High Intensity LEDs
- Long Operating Life and Energy Saving
- Choice of viewing angles
- Choice of LED brand
- Gimbal Aluminium casing
- Direct retrofit with traditional lighting fixture
- Easy to install, Compliant RoHS

### Specifications

Light Source: 3x 1 Watt High Power LEDs

Input Current: 350mA

Power Consumption: 3W

Dimensions: D78mm x H32mm

Hole Cut out Diameter: 63mm

Beam angles: 25°/ 45°/ 60°

Emitted Colours: White/Warm White/Neutral White/Red/Green/Blue/Amber/RGB

Brand of LED: Edison/RC Edison /Edison K series / Luxeon K2/ Luxeon I&III / Cree XR

Operating Temperature: - 20°C ~ 60°C

Housing: Aluminum alloy

Rotation: 40°

Life Span: 50,000 hours

Cover Material: Glass

Protection Rating: IP40 or IP65



### Characteristics

Model	Housing	Emitted Color	Luminous (lm)	Wavelength (nm)	Reliability 1000H	Efficacy ( Lm/W )
PFT7801-3X1W	Silver Colour	Red	105	620-630	2%	
		Yellow	105	585-595	2%	
		Blue	42	460-470	2%	
		Green	135	520-530	2%	
		Cool White	210	6200K	2%	
		Warm White	180	3500K	2%	
		Rainbow			2%	
		Full Color			2%	

**Specifications:**

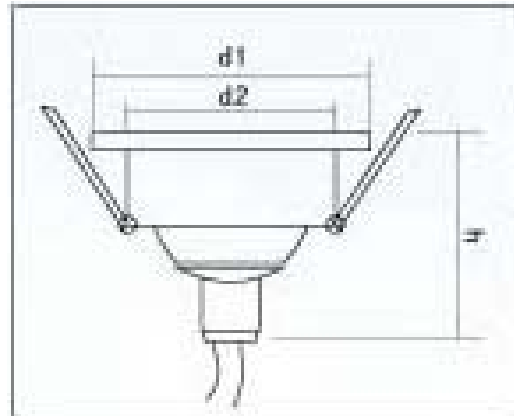
- Light Source: 3pcs 1W High Power Led
- Power Input: 350mA;
- Lens Viewing Angle: 25° ~ 90°
- Housing: Aluminum Alloy

**Features:**

Gimballed for adjustable directivity  
Low power consumption and little heat,  
Long life-span,  
Small light decline rate,  
High Brightness,  
Easy to set up

**Applications:**

Retail Lighting  
Point-Of-Sale Lighting  
Entertainment Lighting  
Commercial Lighting



**d1 (mm):  $\varnothing$  78;**  
**d2 (mm):  $\varnothing$  63**  
**H (mm): 32**



**Notes:**

Please contact our office for the latest LED intensity yields  
Multiple units may be configured using our S6V/IP connection system

Specifications may be subject to change without notice