

## Ultra Miniature Microswitch

<b>DESCRIPTION:</b>	<b>Microswitch with lever Single Pole Double Throw (SPDT)</b>
<b>DEVICE NUMBER:</b>	<b>LF-1382</b>

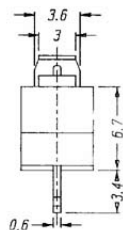
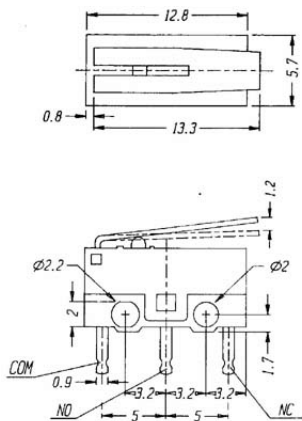
### Specifications

<b>Rating:</b>	<b>2A 24v DC</b>
<b>Dielectric strength</b>	<b>500v AC RMS ( 50~60Hz)</b>
<b>Contact Resistance</b>	<b>30mΩ max</b>
<b>Insulation Resistance</b>	<b>100MΩmin</b>
<b>Life mechanical</b>	<b>100,000 cycles min</b>
<b>Operating force</b>	<b>30g</b>
<b>Temperature Range</b>	<b>-20°C to +70°C</b>

### Materials:

<b>Body</b>	<b>Phenolic Resin</b>
<b>Contact</b>	<b>Silver</b>
<b>Terminals</b>	<b>Silver plated brass</b>

### • Package Dimensions



- NOTES: 1) All dimensions are in millimeters (inches).  
 2) Tolerances are +/- 0.25mm (0.01") unless otherwise specified.  
 3) Lead spacing is measured where the leads emerge from the package.  
 4) Specifications are subject to change without notice.