

DALI Knob Panel



Manual
www.ltech-led.com

Product features

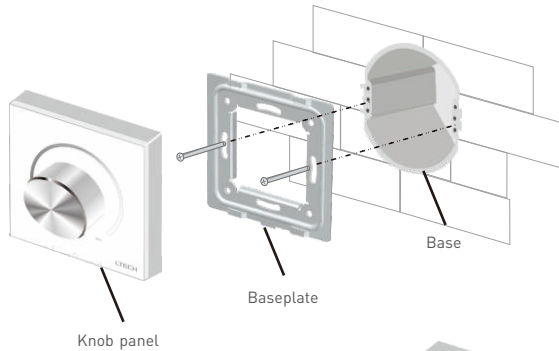
- Adopt latest DALI standard protocol IEC62386.
- Support switch and dimming function.
- DALI bus supply power.
- Easy to set DALI address.
- Support group, unicast, broadcast mode.

Technical specs

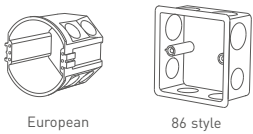
Name:	DALI knob panel	Working temperature:	-20°C~55°C
Model:	E6-DA1	Dimensions:	L86×W86×H50(mm)
Power supply:	DALI power	Package size:	L106×W106×H60(mm)
Output signal:	DALI	Weight(G.W.):	235g
Dimming style:	Spin		
Static current:	6mA@16V		
Standby current:	4mA@16V		



Installation instruction

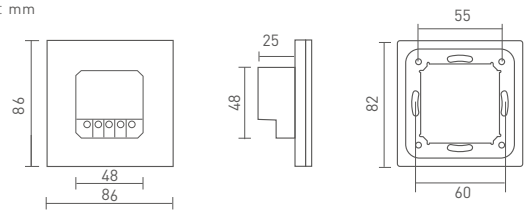


Typical base as follow:



Product size

Unit : mm

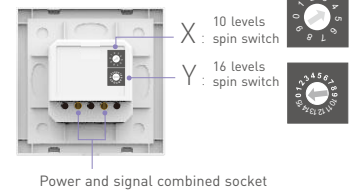


Key functions



- * Clockwise: brightness increases.
- * Counterclockwise: brightness decreases.
- Turn off the panel if you spin to the leftmost end (a click can be heard).

Terminals



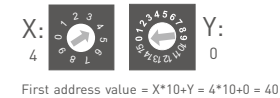
DALI address setting

X = [0-6]: unicast mode; X = 7: group mode; X = 8 or 9: broadcast mode.
Via spin switch, you can set 64 unicast addresses[0-63], 16 group addresses[0-15] and broadcast address.

Unicast mode (address:0-63)



E.g.: Set initial address to 40 in unicast mode.



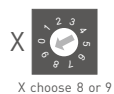
Group mode (address:0-15)



E.g.: Set initial address to 5 in group mode.



Broadcast mode



Wiring diagram

