

**Short Form Super Bright TH LEDs**

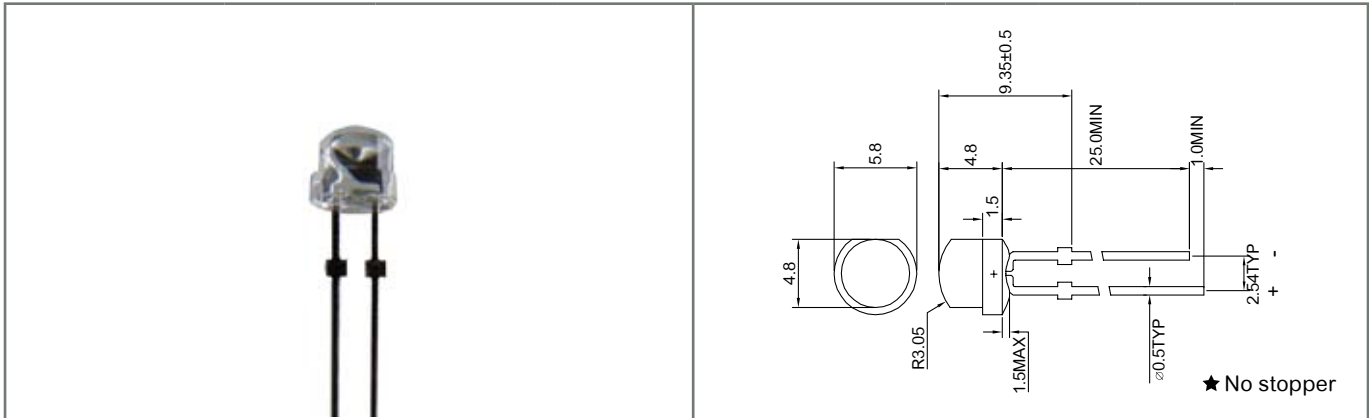
# OPTO ELECTRONIC COMPONENTS



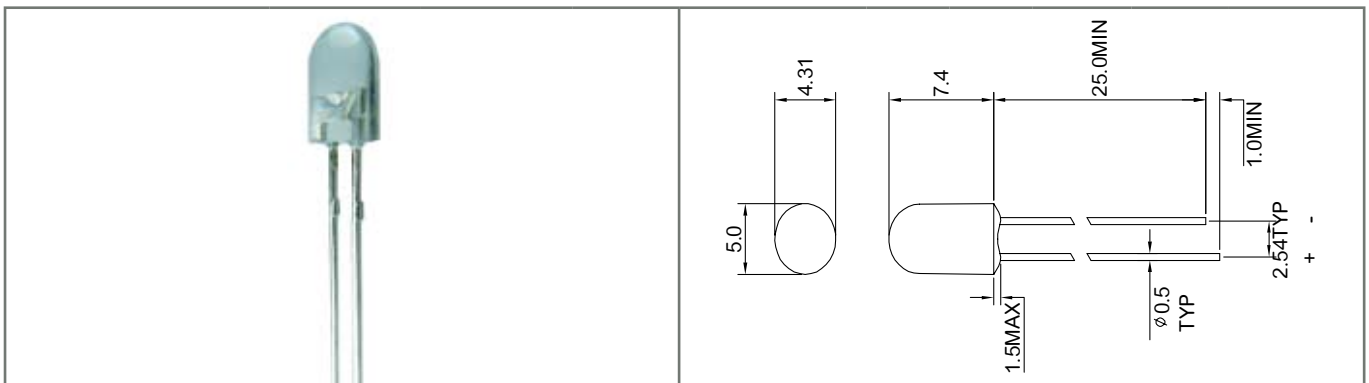
Greener  
and brighter

**OVAL TYPE**

**LED LAMP**

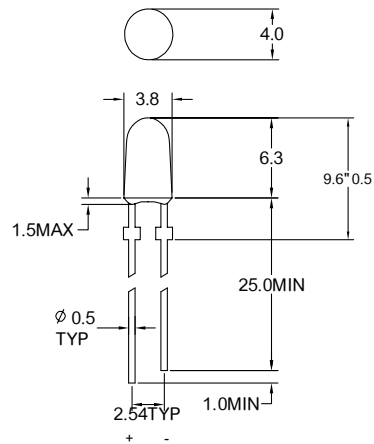


Part No	Chip			Lens color	Vf(V)@20mA		Iv(mcd)@20mA		Viewing angle 2θ <sub>1/2</sub>
	Material	Emitted color	Chromaticity Coordinates (Typ.)		Min	Max	Min	Typ	
LWK73133/P1	InGaN/GaN	White	X0.31 Y0.32	Water Clear	2.8	4.0	900	1500	120
★LWK73133/S3-WW	InGaN/GaN	Warm White	X0.42 Y0.40	Water Clear	2.8	4.0	900	1500	120
★LWK73143Z-A01	InGaN/GaN	White	X0.32 Y0.33	Water Clear	2.8	4.0	1500	2000	100

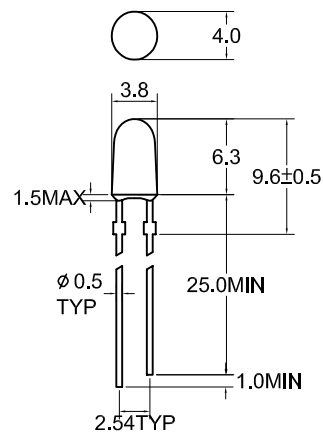


Part No	Chip			Lens color	Vf(V)@20mA		Iv(mcd)@20mA		Viewing angle 2θ <sub>1/2</sub>
	Material	Emitted color	λD(nm)		Min	Max	Min	Typ	
LHRF13433	AlGaInP	Red	630	Water Clear	1.5	2.4	1500	3400	V20° /H40°
LURF13433	AlGaInP	Red	630	Water Clear	1.5	2.4	900	1800	V18° /H34°
LUR13430H/S19-PF-B01	AlGaInP/GaP	Red	630	Red Diffused	1.7	2.6	1100	1800	V36° /H62°
L9SEF13430-S12	AlGaInP	Orange	605	Orange Diffused	1.7	2.6	350	550	V36° /H62°
L8UG13433	AlGaInP	Green	574	Water Clear	1.7	2.6	450	700	V18° /H24°
LHY13433	AlGaInP	Yellow	595	Water Clear	1.7	2.6	1100	1800	V18° /H34°
LUY13433	AlGaInP	Yellow	595	Water Clear	1.7	2.6	1500	2700	V18° /H34°
LUY13430H/S16-PF-B01	AlGaInP/GaP	Yellow	590	Yellow Diffused	1.7	2.6	1200	1800	V36° /H62°
LDGM13430/S13-B01	InGaN	True Green	525	Green Diffused	2.8	4	1100	2200	V14° /H18°
LDBK13433	InGaN	Blue	470	Water Clear	2.8	4	3400	6200	V18° /H30°

**SUPER BRIGHT LED**



Part No	Chip			Lens color	Vf(V)@20mA		Iv(mcd)@20mA		Viewing angle 2θ <sub>1/2</sub>
	Material	Emitted color	λD(nm)		Min	Max	Min	Typ	
LHRF22840/S8	AlGaInP	Red	630	Red Diffused	1.5	2.4	120	250	V120° /H80°
L9UG22840/S8	AlGaInP	Green	574	Green Diffused	1.7	2.6	50	90	V120° /H80°
LHY22840R/S8	AlGaInP	Yellow	595	Yellow Diffused	1.7	2.6	120	200	V120° /H80°
LDGM22840/S8	InGaN	True Green	525	Green Diffused	2.8	4	700	1300	V86° /H58°

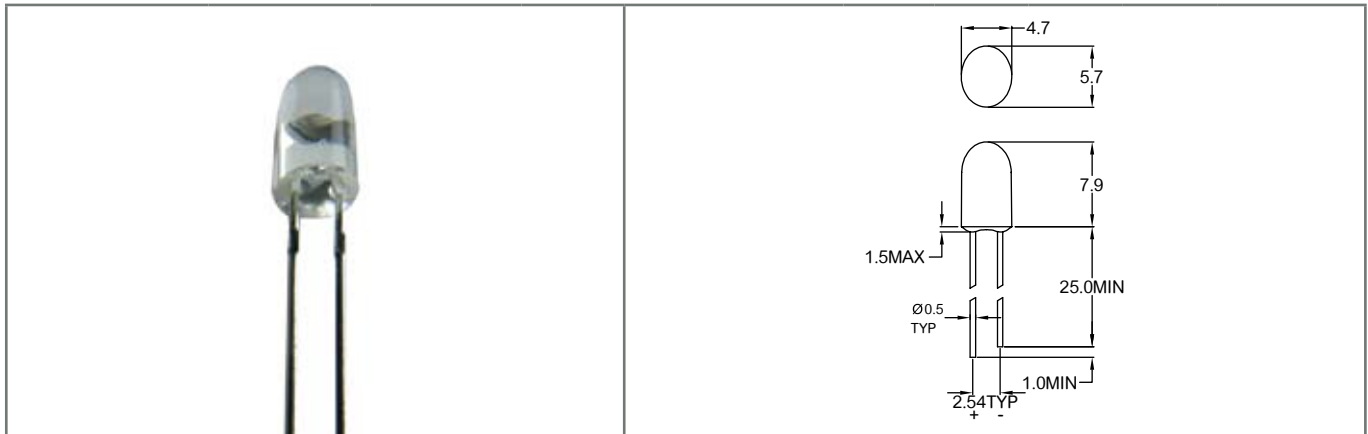


Part No	Chip			Lens color	Vf(V)@20mA		Iv(mcd)@20mA		Viewing angle 2θ <sub>1/2</sub>
	Material	Emitted color	λD(nm)		Min	Max	Min	Typ	
LURF22841/S1	AlGaInP	Red	630	Red Transparent	1.5	2.4	90	160	V120°/H78°
LDGM22841/S1	InGaN	Green	525	Green Transparent	2.8	4.0	450	700	V100°/H54°
LDBK22841/S1	InGaN	Blue	470	Blue Transparent	2.8	4.0	50	90	V80°/H42°

LED LAMP

OVAL TYPE

LED LAMP

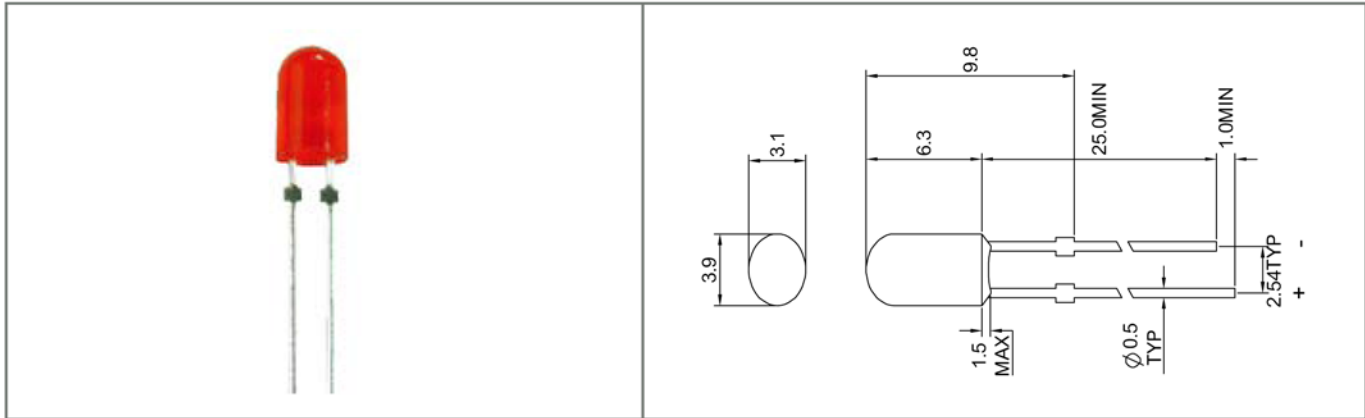


Part No	Chip			Lens color	Vf(V)@20mA		IV(mcd)@20mA		Viewing angle 2θ½
	Material	Emitted color	λD(nm)		Min	Max	Min	Typ	
LURF23531/P1	AlGaInP	Red	630	Red Transparent	1.5	2.4	450	700	V62°/H28°
LHRF23533	AlGaInP	Red	630	Water Clear	1.5	2.4	350	550	V62°/H28°
LUR23533H	AlGaInP/GaP	Red	630	Water Clear	1.7	2.6	2700	5000	V60°/H30°
LUE23533	AlGaInP	Orange	620	Water Clear	1.7	2.6	1100	1900	V62°/H28°
L9UG23531/P1	AlGaInP	Green	574	Green Transparent	1.7	2.6	300	450	V62°/H28°
LUG23533	AlGaInP	Green	574	Water Clear	1.7	2.6	350	700	V62°/H28°
LUY23533	AlGaInP	Yellow	595	Water Clear	1.7	2.6	700	1500	V62°/H28°
LUY23531H/P1	AlGaInP/GaP	Yellow	590	Yellow Transparent	1.7	2.6	1100	2200	V74°/H38°
LUYS23533	AlGaInP	Yellow	587	Water Clear	1.7	2.6	700	1500	V62°/H28°
LDGM23533/P1	InGaN	Green	525	Water Clear	2.8	4	4000	7700	V30°/H20°
LDBK23533	InGaN	Blue	470	Water Clear	2.8	4	900	1800	V46°/H20°



Part No	Chip			Lens color	Vf(V)@20mA		IV(mcd)@20mA		Viewing angle 2θ½
	Material	Emitted color	λD(nm)		Min	Max	Min	Typ	
LURF43740/S2	AlGaInP	Red	630	Red Diffused	1.5	2.4	450	700	V40°/H110°
LUR43740H/P1	AlGaInP/GaP	Red	630	Red Diffused	1.7	2.6	700	1100	V40°/H110°
LUY43740-S2	AlGaInP	Yellow	595	Yellow Diffused	1.7	2.6	550	1100	V40°/H110°
LDGM43740/S2	InGaN	True Green	525	Green Diffused	2.8	4	1100	1500	V32°/H90°
LDBK43740/P1	InGaN	Blue	470	Blue Diffused	2.8	4	350	550	V40°/H110°

**OVAL TYPE**



Part No	Chip			Lens color	Vf(V)@20mA		Iv(mcd)@20mA		Viewing angle 2Θ½
	Material	Emitted color	λD(nm)		Min	Max	Min	Typ	
LURF32840/S4	AlGaInP	Red	630	Red Diffused	1.5	2.4	350	600	V74°/H110°
LUR32840H/S4	AlGaInP/GaP	Red	630	Red Diffused	1.7	2.6	700	1100	V74°/H110°
LDGM32840/S4	InGaN	True Green	525	Green Diffused	2.8	4.0	900	1500	V60°/H110°
LDBK32840/S4	InGaN	Blue	470	Blue Diffused	2.8	4	350	550	V60°/H100°

**LED LAMP**