

Panel Mount LED Indicators- Chrome Prominent PA05CP Series

Features:

- Ø9.5mm Bezel, M8 Thread
- Bright chrome housing
- Sealed to IP20 or IP67
- Diffused or Clear lens
- Choice of termination
- Range of LED colours
- High visibility
- Low Voltage, High Efficiency
- Long Life – Maintenance free



Description

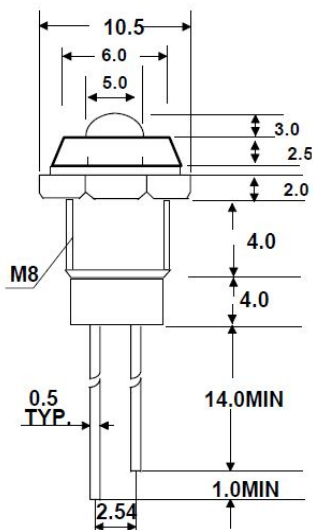
Attractive range of panel mount LED lamps comprising of a single 5.0mm LED emitter mounted in a bright chrome bezel.

Specifications

Part No.	LED Chip	Emitted Colour	Wavelength (nm)	Voltage Typ. (Vdc)	Luminous Intensity (mcd) @20mA	Viewing Angle
PA05CP-SRD	AlGaAs	Red Diffused	660	2.0	220	36°
PA05CP-UGD	AllnGaP	Green Diffused	574	2.0	260	
PA05CP-VYD	AllnGaP	Yellow Diffused	590	2.0	300	
PA05CP-DBKD	InGaN	Blue Diffused	465	3.3	550	
PA05CP-WKD	InGaN	White Diffused	x,y	3.3	1100	
PA05CP-SRFUGTD	AllnGaP	Red/Green Diffused	635/565	2.0/2.0	300/220	

External current limiting resistor or 10-20mA constant current drive required

Dimensions



Please contact our office for the latest intensity yields
Specifications may be subject to change without notice