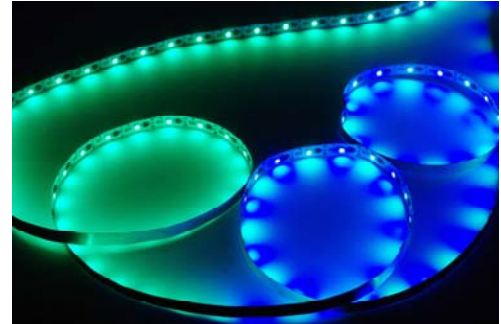


PFA5000x10-x-DL5050RGB-12v-8208
SPI Addressable Flexible RGB LED Strip

Features

- Full Colour, Pixel Addressable Flexible LED strip
- 5050 3-in-1 LED emitters + integrated IC
- Easy to cut at intervals
- Wide 120° angle of emission
- UL Rated
- Choice of IP ratings
- 3 Year Warranty

Applications: POS Display equipment & effect lighting



Configuration

Parameter	30 LEDs/m	60 LEDs/m	Unit
Packaging	5.0M reel 150 LEDs	5.0M reel 300 LEDs	TOTAL / reel
LED Cut points	33.33	16.66	mm
LED Pitch	33.33	16.66	mm
Termination	3x Flying wire leads 200mm long		
Connection	3 wire SPI: Red +ve, Black -ve, Green Data		
Integrated SPI Driver IC	8208		

Absolute Maximum Ratings (T_A=25°C)

Parameter	Symbol	Absolute Maximum Rating		Unit
		30 LEDs/m	60 LEDs/m	
LED configuration				
Current Consumption/reel (White "all on") *	IF	3.0A	6.0A	A
Current Consumption/metre (White "all on") *		0.6A	1.2A	A
Power Dissipation/reel (White "all on") *	PD	27W	54W	W
Power Dissipation/metre (White "all on") *		5.4W	10.8W	
Operating Temperature	Topr	-25~+40°C		°C
Storage Temperature	Tstg	-40~+80°C		°C

* SPI Controller dependent

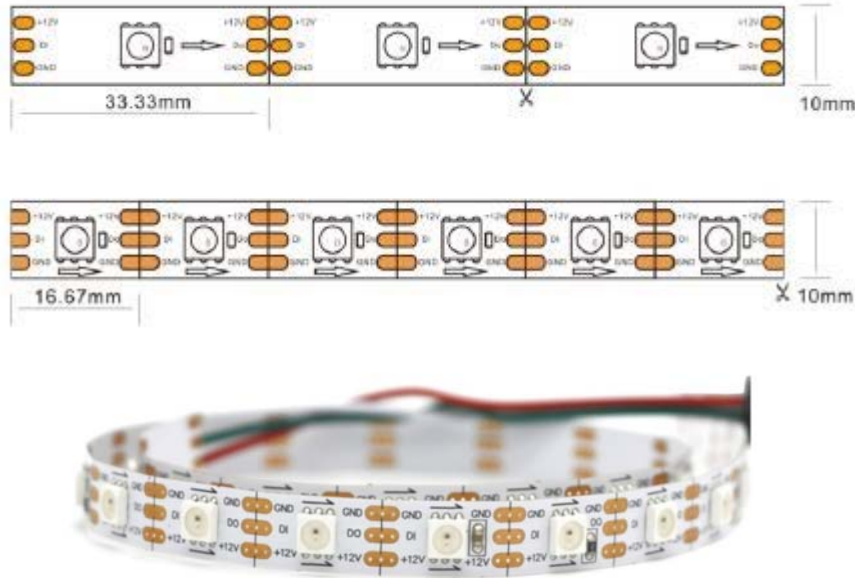
Electro-optical characteristics (T_J=25°C)

Parameter	Symbol	Condition	Min.	Typ.	Max.	Unit
Operating voltage	VDC	IF = 12mA	-	12	-	V
Dominant Wavelength	λD (R)		620		625	nm
	λD (G)		500		525	
	λD (B)		450		470	
Luminous output	R		270		900	mcd
	G		900		1600	
	B		250		450	
	Mix W	2000		3200		

Add suffix IPxx for waterproof coating

PFA5000x10-x-DL5050RGB-12v-8208
SPI Addressable Flexible RGB LED Strip

Dimensions



Notes:

It is recommended that where LEDs are driven at >11W/metre that strips are mounted on a suitable heatsink i.e. aluminium to allow cooling and maintain LED life.

The rated life of LED products depends to a large extent on the temperature. If the permissible temperature limits are exceeded, LED lifetimes will be greatly reduced and may lead to catastrophic failure of the LEDs.

Handling notes:

Ensure that the correct low voltage dc power supply is matched to the flexible strip specification

Avoid repeated bending of the strip to avoid damage to the circuit and components & observe the maximum bend radius of 30mm

Avoid handling of the surface components, in particular the LED emitters as any pressure may result in damage & latent failures.

When cutting IP65 the ingress protection will be compromised please ensure that the assembly is re-sealed accordingly in order to maintain the IP rating

Installation notes:

To achieve a consistent luminous effect, each 5 metre should be connected to the power source.

To ensure long life we recommend that the strip is kept as cool as possible and environments where the temperature exceeds 40°C should be avoided

Drive & Control:

For control solutions please refer to our range of controllers and drive options which include DMX, RF Wireless, WiFi. More information may be found at <http://www.plusopto.co.uk/led-controllers.html>

Specifications may be subject to change without notice