

PNF1515-120SLD2835W-24V-19.2W/IP67

Flexible White Neon LED Strip

Features

- Flexible LED light source
- High Performance SMD emitters
- 15x15mm profile
- Easy to cut at 50mm intervals
- Wide 180° angle of emission
- IP67
- 3 Year Warranty



Applications

POS Display equipment, signage, accent & decorative lighting

Configuration

Part No. series	PNF1515-120SLD2835W-24V-19.2W/IP67
LEDs / metre	120
LED Pitch	8.33mm
Reel Size / Qty	5M/600
Strip profile	15.0mm x 15.0mm

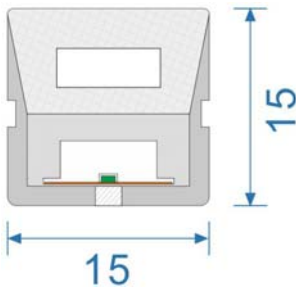
Maximum Electrical Characteristics Ta=25°C

Parameter	24VDC	Unit
Input Voltage	24v Typical	VDC
Current consumption / metre (max)	800mA	mA/m
Current consumption total (max)	4.0A	A/ TOT / reel
Power consumption / metre (max)	19.2W	W/m
Power consumption total (max)	96W	W/TOT /5m reel
Operating Temp	-20 to +45°C	°C
Storage Temp	-10 to +55°C	°C

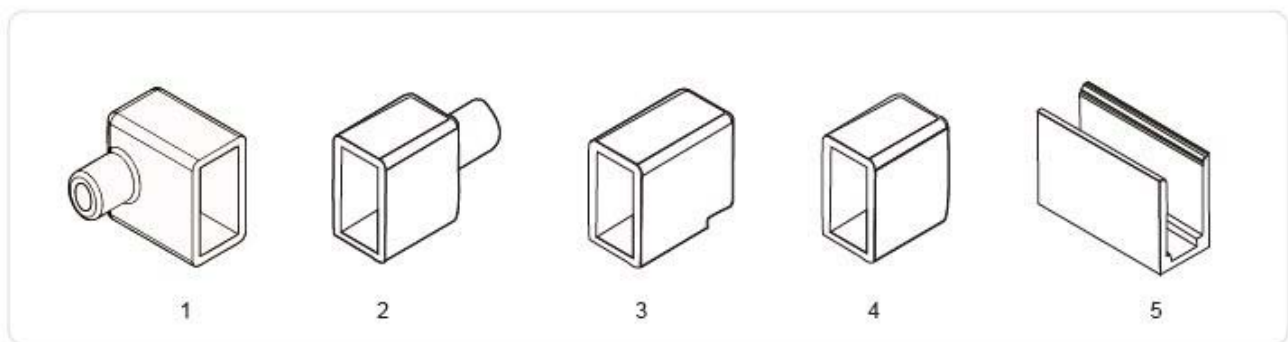
Optical Characteristics Ta=25°C

Emitted colour	Wavelength/CCT typ.	Lm/m typ	Viewing Angle
Pure White	6000K - 6500K	2000	180°
Daylight White	5000K		
Natural White	4000K – 4500K		
White	2700K – 3000K		

Dimensions



Options



1. Side exit plug
(both left and right can be used)

2. Straight out
of the line plug

3. Bottom
outlet plug

4. Tail Plug

5. Fixed buckle

Handling notes:

Ensure that the correct low voltage dc power supply is matched to the flexible strip specification

Avoid repeated bending of the strip as this will damage the circuit and components

Avoid excess pressure on the strip as this may result in damage and latent failures.

When cutting, the ingress protection will be compromised please ensure that the assembly is re-sealed accordingly in order to maintain the IP rating

Installation notes:

To achieve a consistent luminous effect, each 5 metre length should be connected to the power source.

To ensure long life we recommend that the strip is kept as cool as possible and environments where the temperature exceeds 40°C should be avoided

Drive & Control:

For control solutions please refer to our range of controllers and drive options which include DMX, RF Wireless, WiFi. More information may be found at <http://www.plusopto.co.uk/led-controllers.html>

Specifications may be subject to change without notice