

Waterproof LED Module

PWM4417-2SLY2835x-12v/0.72W/IP67



Designed for channel letter illumination in signage applications, the PWM4417-2SLY2835x module is suitable for 3-16cm depth letter illumination & provides bright and even illumination. Supplied in pre-wired chains of 20 pcs with 100mm link wires. Fixing is facilitated by 3M adhesive tape.

- Compact module 44x16.8x4.8mm
- High performance 2835 LED emitter
- Low voltage operation 12vdc
- Low power consumption
- Waterproof housing rated IP67
- Wide 175° angle of emission

ELECTRICAL SPECIFICATIONS	
Parameter	Rating
Input Voltage	12vdc
Current Consumption	60mA/module
Power Consumption	0.72W/module

LIGHTING PERFORMANCE	
Efficiency	>130lm/W
Lifetime	>20,000 hours
Viewing Angle	175°

ENVIRONMENTAL	
Parameter	Rating
Operating Temp	-20°C to +60°C
Storage Temp	-25°C to +70°C

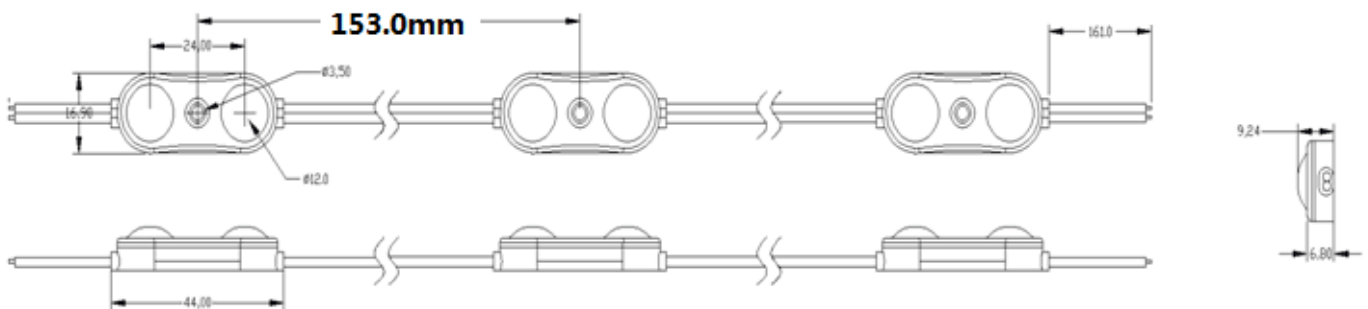
MECHANICAL DETAIL	
Dimensions	44x16.8x4.8mm
Weight	10.g/module
Environmental	IP67
Approvals	CE and UL

Specifications

PART NUMBER	COLOUR	CCT	VOLTAGE	CURRENT (module)	POWER (module)	LUMINOUS FLUX (module)
PWM4417-2SLY2835PW12v/IP67	Pure White	6000~6500K	12vDC	60mA X20 =1.2A	0.72W x 20 = 14.4W	100 lm
PWM4417-2SLY2835NAW12v/IP67	Natural White	4000~4500K				100 lm
PWM4417-2SLY2835WW12v/IP67	Warm White	3000~3300K				100 lm

Other colours are available on request

Module Dimensions



Notes:

Use in conjunction with constant voltage 12v max LED drivers
 These modules are designed for low voltage operation and must not be connected directly to ac mains supply
 Luminous flux values quoted are typical. Please contact our office for the latest intensity yields
 Specifications may be subject to change without notice