

LED Module

PAM6719W-3YL5050W-12v/IP65



Designed for channel letter illumination in signage applications, the PAM6719 module provides bright and even illumination. Supplied in pre-wired chains of 20 pcs with 47mm link wires. Fixing is facilitated by a 3.0mm hole and 3M adhesive tape.

Features

- Low Voltage operation
- Low Current Consumption
- No heat generated
- Waterproof to IP65
- Choice of colours
- Lightweight construction

ELECTRICAL SPECIFICATIONS	
Parameter	Rating
Input Voltage	12vdc
Current Consumption	60mA/module
Power Consumption	0.72/module 1.44W/RGB module

LIGHTING PERFORMANCE	
Lifetime	>20,000 hours

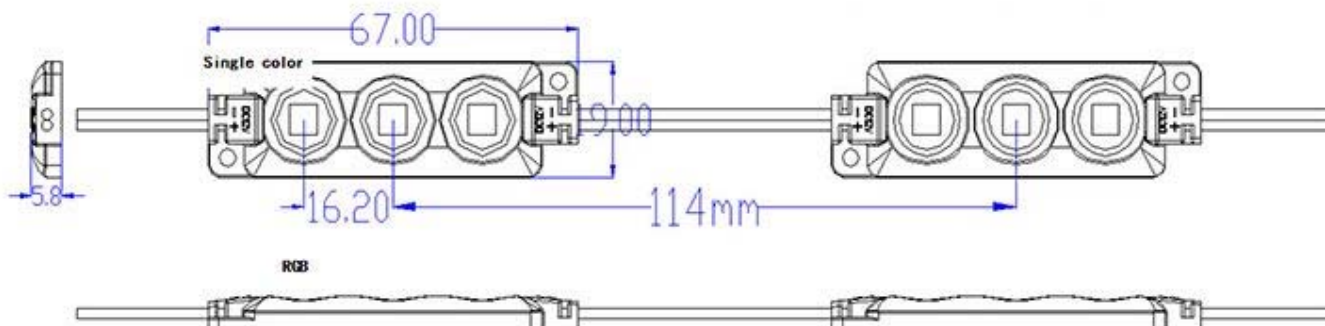
ENVIRONMENTAL	
Parameter	Rating
Operating Temp	-20°C to +50°C
Storage Temp	-25°C to +60°C

MECHANICAL DETAIL	
Dimensions	67x19x5.9mm
Weight	23g
Environmental	IP65
Approvals	CE and UL

Specifications / String (20pcs)

PART NUMBER	COLOUR	CCT	VOLTAGE	CURRENT (module)	POWER (module)	LUMINOUS FLUX (module)
PAM6719-3YL5050CW-12v	Cool White	10000~12000K	12vDC	60mA x20 1.2A	0.72W x 20 14.4W	60~70 lm
PAM6719-3YL5050PW-12v	Pure White	6000~6500K				60~70 lm
PAM6719-3YL5050WW-12v	Warm White	3000~3300K				60~70 lm
PAM6719-3YL5050RGB-12v	RGB			60mA	1.44W	

Module Dimensions



Notes:

Use in conjunction with constant voltage 12v max LED drivers
These modules are designed for low voltage operation and must not be connected directly to ac mains supply
Luminous flux values quoted are typical. Please contact our office for the latest intensity yields