

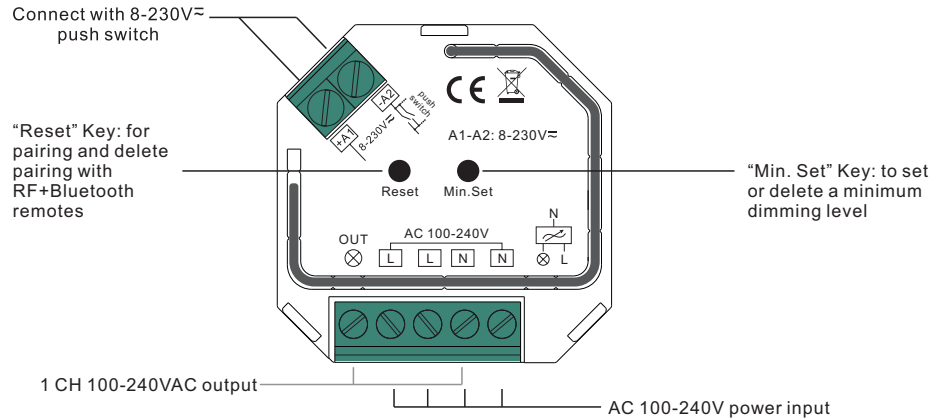
# AC Phase Cut RF+Bluetooth Dimmer

70200013



**Important:** Read All Instructions Prior to Installation

## Function introduction



- AC phase cut dimmer based on RF+Bluetooth Mesh
- 100-240VAC Wide Input and Output Voltage
- Supports resistive loads and capacitive loads
- 1 Channel Output, Up to 400W
- Input and Output with Screw Terminals, Safe and Reliable
- Both leading edge version and trailing edge version are available for choosing, default factory setting is trailing edge
- Enables to control ON/OFF and light intensity of connected triac dimmable led light or led driver
- Controlled through both smart App and remote controls, no gateway required
- Easy & quick pairing to the smart App by simply pushing the reset button
- Mesh network, much longer control distance, transmits received signal to neighbor devices
- Up to 30m transmission distance between every two neighbor devices
- Encrypted two-way communication, quick status feedback, safe & reliable data transmission
- Compatible with universal RF+Bluetooth remotes, each LED controller can pair to max. 8 remotes
- Cloud control is available for remote access, works with Amazon Alexa and Google Home
- Can be controlled by universal 8-230V input single wire push switch
- Mini Size, Easy to be Installed into a standard 86\*86mm wall box
- Radio Frequency : 2.4GHz
- Waterproof grade: Ip20

## Safety & Warnings

- DO NOT install with power applied to device.
- DO NOT expose the device to moisture.

## Operation

### Pair/delete the pairing with RF+Bluetooth remote

1. Do wiring according to connection diagram.
2. Pair LED controller with RF+Bluetooth remote: please refer to the instruction of the remote that you would like to pair with.
3. Delete the pairing:
  - (1) Wire up the LED controller correctly, power on.
  - (2) Press and hold down the "Reset" button on the controller for over 3 seconds (or reset power of the device 8 times continuously if the button is not accessible to factory reset the device) until the connected light flashes, which means well deleted.

Note: factory resetting will restore all configured parameters of the device on the APP to factory default setting.

### Pair with smart APP

1. Do wiring according to connection diagram.
2. Please refer to the **EasyThings** App user manual for details of adding device.

### Setting minimum brightness:

Adjust brightness to a desired level from zigbee hub or controller interface or a remote, then press and hold down "Min. Set" key until connected light flashes, the minimum dimming level is set successfully, then the connected load can only be dimmable between this minimum brightness and 100% brightness.

The dimming range of this dimmer is 1%-100%, but some load types may flicker when dimmed to 1%, thus a minimum brightness shall be set higher than 1% to avoid flickering during dimming process.

### Delete the minimum brightness:

Adjust the brightness to 100% from zigbee hub or controller interface or a remote, then press and hold down the "Min. Set" key on the dimmer until connected light flashes, which means minimum brightness is deleted successfully.

### Controlled by a push switch:

Once connected with a push switch, click the push switch to switch ON/OFF, press and hold down it to increase/decrease light intensity.

## Product Data

Input Voltage	Output Voltage	Output Current	Size(LxWxH)
100-240VAC	100-240VAC	1.8A max	45.5x45x20.3mm

Compatible Load Types			
Load Symbol	Load Type	Maximum Load	Remarks
	Dimmable LED lamps	200W @ 220V 100W @ 110V	Due to variety of LED lamp designs, maximum number of LED lamps is further dependent on power factor result when connected to dimmer.
	Dimmable LED drivers	200W @ 220V 100W @ 110V	Maximum permitted number of drivers is 200W divided by driver nameplate power rating.
	Incandescent lighting, HV Halogen lamps	400W @ 220V 200W @ 110V	
	Low voltage halogen lighting with electronic transformers	200W @ 220V 100W @ 110V	

## Wiring diagram

### Notes for the diagrams:

L - terminal for live lead

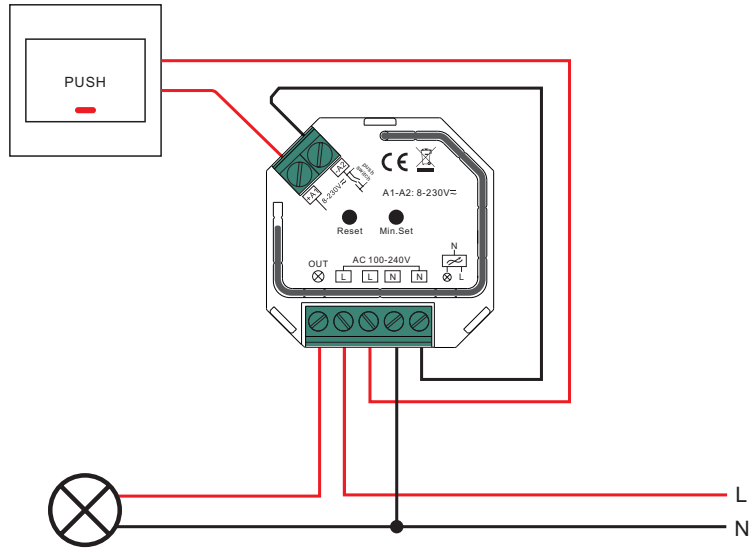
N - terminal for neutral lead

Out - output terminal of the dimmer (controlling connected light source)

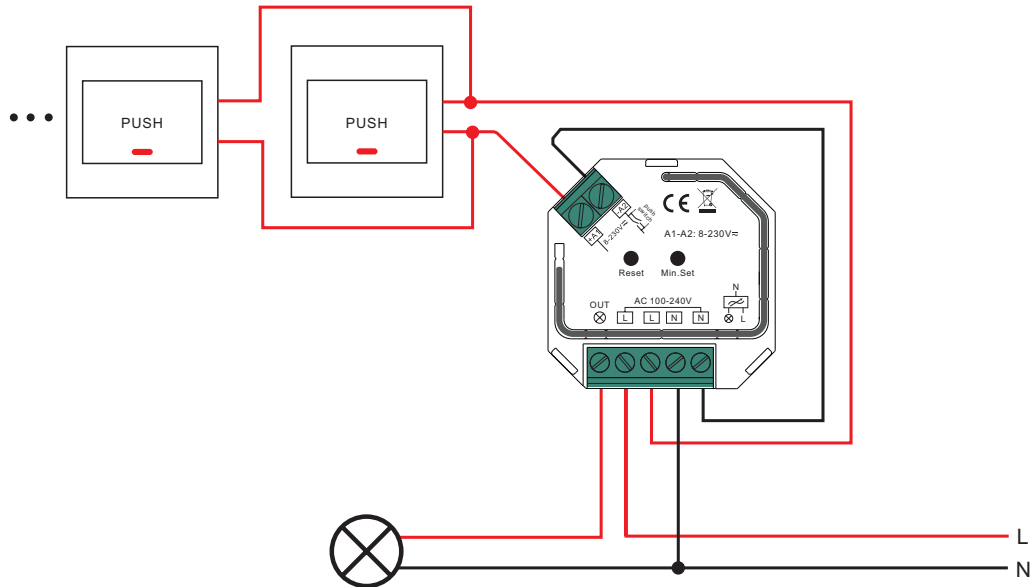
+A1 - terminal for push switch

-A2 - terminal for grounding to the switch connected to the dimmer

### 1) With Single Push Switch



### 2) With Multiple Push Switches for Multiple Control Points



This phase dimmer adopts leading edge dimming (forward phase control) or trailing edge dimming (reverse phase control), two versions are available for choosing, default factory setting is trailing edge, leading edge version available upon request. Please make sure the connected loads support the control type you choose. Please refer to the user manual of the load or consult the supplier of the load.

## Product Dimension

